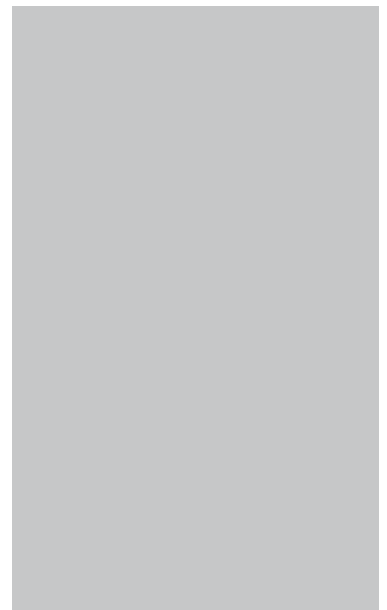
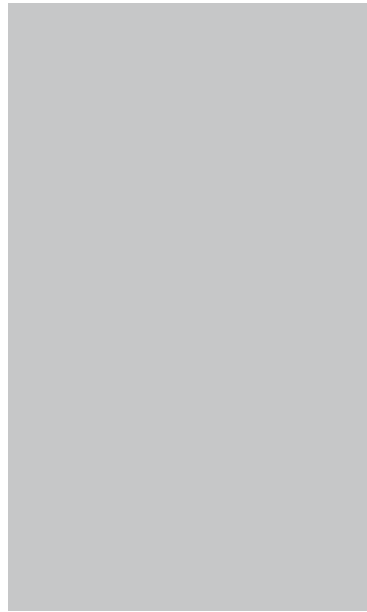


# Export Catalogue

**INTERLOCK™**  
**ASSA ABLOY**



ASSA ABLOY, the global leader  
in door opening solutions.

# SECTION A

## General Information

Company Profile	A2
Customer Service Directory	A3
Values	A4
Services	A5



# General Information

## Company Profile

### ASSA ABLOY New Zealand

ASSA ABLOY is the global leader in door opening solutions, dedicated to satisfying end-user needs for security, safety and convenience. ASSA ABLOY is represented in all major regions, on both mature and emerging markets, with leading positions in much of Europe and North America and in Australia. In the rapidly growing electromechanical security sector, the Group has a leading position in fields such as access control, identification technology, automatic doors and hotel security and is renowned for innovation and consistently listed in the Forbes top 100 most innovative companies. We have many of the most well-known brands in the industry including Interlock, Yale, Lockwood, Henderson, Union, Trimec and Whitco.

ASSA ABLOY New Zealand specialises in customised door and window products, with a full manufacturing facility on site at head office on Auckland's North Shore, and 250 employees nationwide.



### Interlock

Interlock is a renowned New Zealand-based brand that provides a wide range of high-quality door and window hardware solutions for both residential and commercial markets. Because the brand's product portfolio is broad, it is able to react creatively to individual needs, providing its customers with highly customised solutions.

Since its inception in 1961, the Interlock brand has built a number of highly successful partnerships with key customers in core markets all around the world. This has enabled the development of many innovative solutions and ensured that the ever changing needs of consumers are met.



# General Information

## Customer Service Directory

If you have any questions regarding ASSA ABLOY, our products, or distribution, please contact our Customer Services team.

### Contact Details

<b>Phone</b>	09 448 9109
<b>Fax</b>	09 415 7889 or 0800 456 257
<b>Email</b>	<a href="mailto:nzexport@assaabloy.com">nzexport@assaabloy.com</a>
<b>Website</b>	<a href="http://www.assaabloy.co.nz">www.assaabloy.co.nz</a>
<b>Address</b>	6 Armstrong Road Albany, Auckland 0632 PO Box 100407 North Shore, Auckland 0745

### Key Contacts

Customer Services	+64 9 448 9109
-------------------	----------------

## Environmental Sustainability

ASSA ABLOY New Zealand Limited is New Zealand's leading manufacturer of door and window hardware and conducts its business with high standards of integrity and concern for the environment.

ASSA ABLOY believes in responsible social and ethical behaviour and continuously seeks ways to reduce the consumption of resources, prevent pollution and improve the overall environmental impact from its operations and products.

Globally, ASSA ABLOY is at the forefront of Environmental Sustainability and this focus and drive is reflected through ASSA ABLOY New Zealand.

## Quality

ASSA ABLOY New Zealand Limited is a company which designs, manufactures, tests and markets high quality door and window hardware covering both the commercial and residential markets within the building industry.

Our Management System is designed to satisfy the requirements of ISO 9001:2000.

With quality systems in place we endeavour to:

- Understand current and future customer needs
- Deliver quality products, plus timely and cost effective service to our customers that exceed their expectations
- A process approach to system management involving all our people

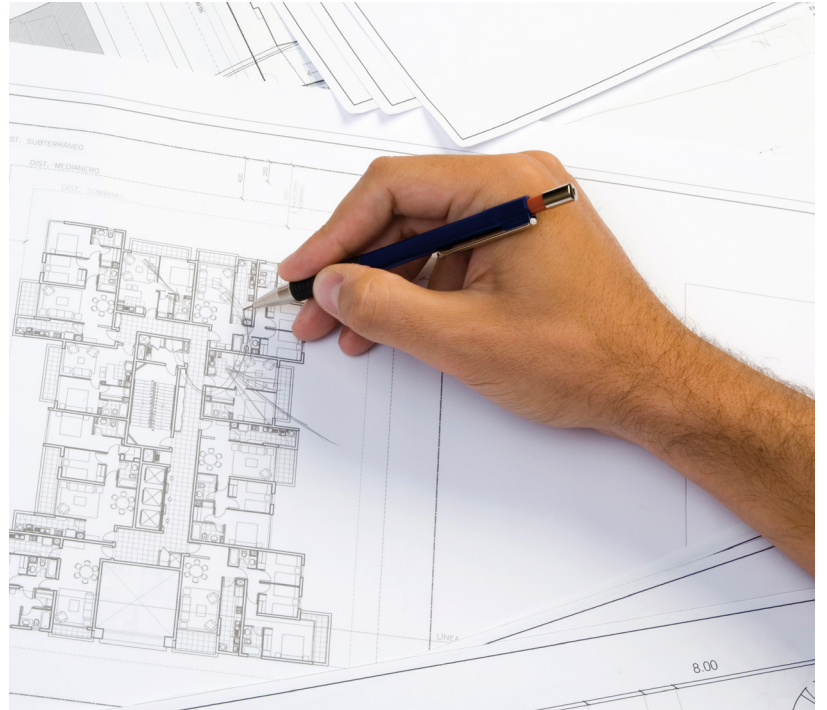


## Specification Service

ASSA ABLOY provides a free hardware scheduling service that is utilised by many architectural practices, construction companies and end users to assist them in dealing with the difficulties involved in compiling their door hardware documentation.

ASSA ABLOY's specification service can take many forms including door by door hardware schedules, preparation of specification briefs, providing door or room data sheets, or assisting the client with their preparation of information for their own documentation format.

The combination of ASSA ABLOY's specialised consultants and vast product range brings integrity, experience and professionalism to door hardware specifications whilst saving you time and effort.



## Keying Services

ASSA ABLOY offers various keying systems to suit a vast range of applications and customer needs. We provide exceptionally locksmith-friendly products with Keyed-Alike, Master Keying, Grandmaster Keying, Construction Keying and Maison Keying capability. A wide range of ASSA ABLOY products can be incorporated into any of these keying systems for residential and commercial purposes as per customer needs.



# SECTION B

## Projected Window Hardware

Friction Hinges	B2 - B6
Safety Stays	B7
Restrictor Stays	B8
Window Fasteners	B9 - B17
Wedges	B18
Electric Operators	B19 - B20
Multi-Point	B21 - B23



## 4B Series Friction Hinges Stainless Steel Awning Hinges

A premier range of 4-bar friction hinges (stays) used for the support and frictional control of projected top hung (PTH) sashes. Manufactured from 304 grade austenitic (non-magnetic) stainless steel, the range caters for the sizes and weights of sashes normally associated with residential or light commercial applications.

### Features

- A comprehensive range to cater for most applications
- Manufactured with the unique “pull-in” feature
- No sliding channels
- Factory set friction levels mean no on-site adjustment is required
- Fixed directly through the bearing eyelet as well as through the formed screw or rivet holes
- New Zealand made

### Options

- Available in three sizes, designated by the frame plate length, catering for sashes weighing up to 30kg. The selection of which is determined by the sash weight and height (refer chart below)
- Includes specific function models:
  - Non-friction for use with window control mechanisms
  - Reduced friction

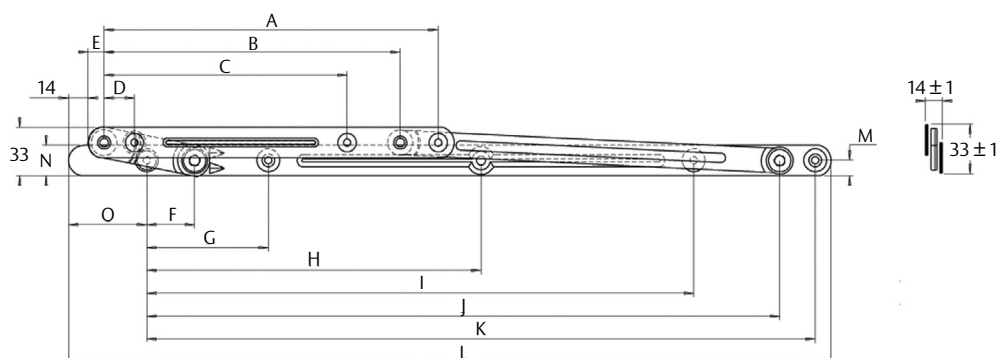


### Specifications

Model	Application	Max. Sash Height	Opening Angle	Max. Sash Weight	Product Number
200 4BV	PTH	300mm	40°	8kg	P1001
200 4B	PTH	600mm	40°	10kg	P1002
200 4B NF	PTH	***	40°	10kg	P1002NF
350 4B	PTH	800mm	30°	20kg	P1003
350 4B NF	PTH	***	30°	20kg	P1003NF
500 4B	PTH	1800mm	25°	30kg	P1004
500 4B NF	PTH	***	25°	30kg	P1004NF

(mm)	A	B	C	D	E	F	G	H	I	J	K	L	M	N	O
2004B	80	54.35	-	20	8.5	29.1	-	-	-	134.1	149.7	198.2	8	16	40
3504B	140	113.9	-	20	8.5	28.9	160	-	-	283.9	300	348.5	8	16	40
5004B	220	195	160	20	10.5	31.5	80	220	360	416.6	440	502.5	10	20	52

Note: Letters apply to dimension diagram below.



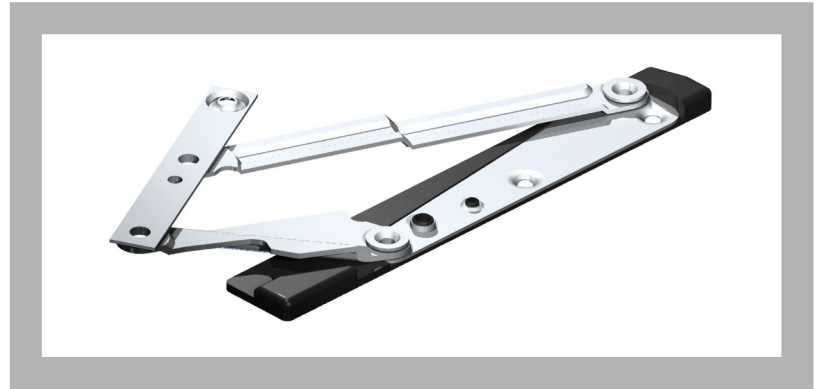


## 4BC Series Friction Hinges Stainless Steel Casement Hinges

A premier range of 4-bar friction hinges (stays) used for the support and frictional control of projecting side hung (PSH) aluminium, timber or uPVC sashes. Manufactured from 304 grade austenitic (non-magnetic) stainless steel, the range caters for the sizes and weights of sashes normally associated with residential or light commercial applications.

### Features

- A comprehensive range to cater for most applications
- Manufactured with the unique “pull-in” feature
- No sliding channels
- Factory set friction levels thus no on-site adjustment necessary
- New Zealand made



### Options

- Available in four sizes, designated by the frame plate length, catering for sashes weighing up to 40kg. The selection of which is determined by the sash weight and width (refer chart below)
- Non-friction model for use with window control mechanisms.

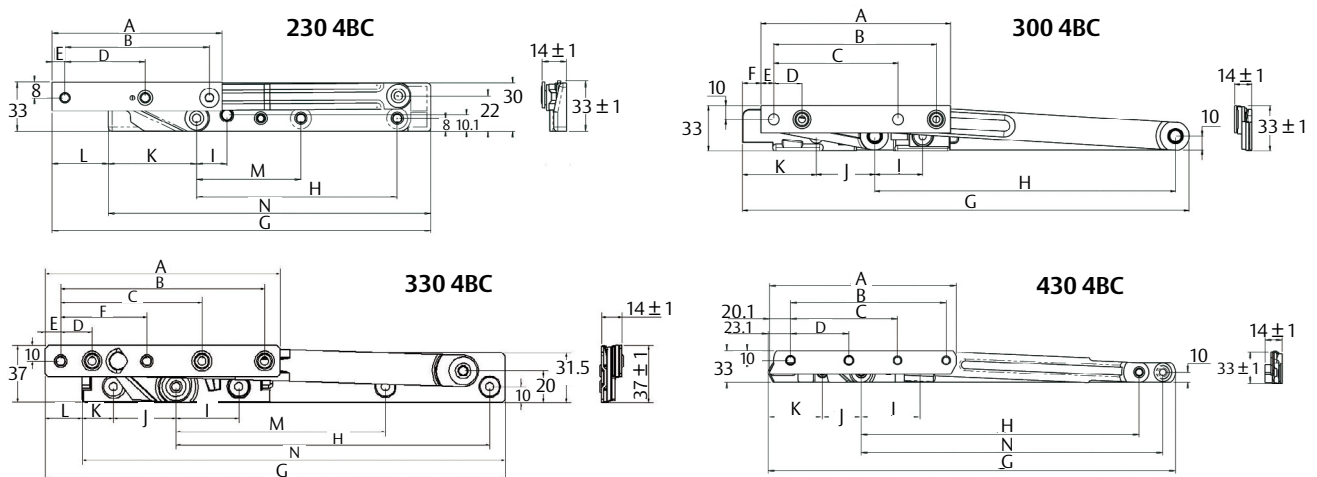
### Specifications

Model	Application	Max. Sash Width	Opening Angle	Max. Sash Weight	Product Number
230 4BC	PSH	800mm	90°	25kg	P1090
230 4BC NF	PSH	***	90°	25kg	P1090NF
230 4BC R	PSH	800mm	77°	25kg	P1090R
300 4BC	PSH	750mm	56°	20kg	P1120
430 4BC	PSH	1000mm	90°	40kg	P1080
430 4BC NF	PSH	***	90°	40kg	P1080NF
430 4BC SH	PSH	***	90°	40kg	P1080SH

Note: Interlock casement stays are only recommended for use on casement windows where the window height is twice the window width.

(mm)	A	B	C	D	E	F	G	H	I	J	K	L	M	N
<b>230 4BC</b>	106	90	-	50	8	-	236	125	18.9	-	55	34	65	201
<b>300 4BC</b>	139	119	91	21	9	11	325	220	35	43	52	-	-	-
<b>330 4BC</b>	150	130	90	20	10	55	293	200	40	40	20	23	133.5	270
<b>430 4BC</b>	193	160	110	60	-	-	420	285.7	60	40	57	-	-	310

Note: Letters apply to dimension diagram below.



## A Series Friction Hinges Aluminium Hinges

This complete range of 4-bar friction stays provides support and control of standard weight projected top hung (PTH) sashes. The A-Series friction hinges (stays) are manufactured from extruded aluminium and has no sliding channels.

### Features

- A complete range to cater for most residential applications
- Manufactured with the unique “pull-in” feature
- Black powdercoated finish

### Options

- Available in four sizes to cater for sashes weighing up to 43kg

Includes specific function models:

- 'A' Full friction
- 'V' Low friction
- 'NF' Non-friction
- 'HD A' Heavy Duty
- Non-friction model for use with window control mechanisms



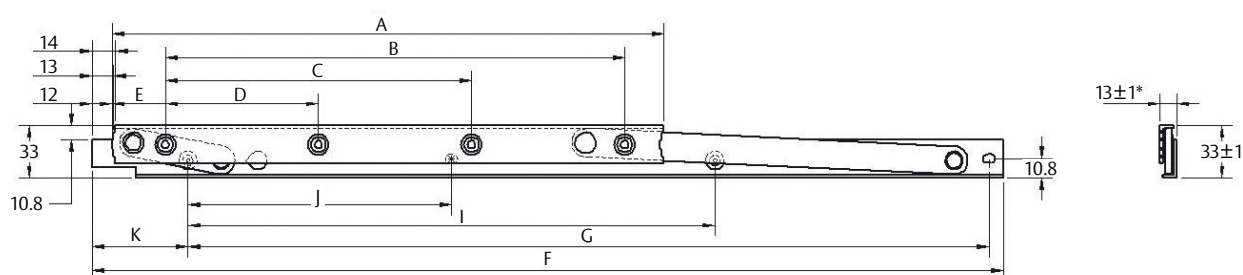
### Specifications

Model	Application	Max. Sash Height	Opening Angle	Max. Sash Weight	Product Number
230 A	PTH	750mm	45°	6kg	P1560B
230 V	PTH	400mm	45°	4kg	P509B
230 NF	PTH	***	45°	10kg	P1559B
330 A	PTH	1000mm	35°	9kg	P1561B
420HD A	PTH	1800mm	20°	15kg	P1553B
420HD A	PTH	1500mm	20°	20kg	P1553B
420HD A	PTH	1200mm	20°	43kg	P1553B
500 A	PTH	1300mm	27°	12kg	P1530B

Note: Interlock casement stays are only recommended for use on casement windows where the window height is twice the window width.

(mm)	A	B	C	D	E	F	G	H	I	J	K
230 A Stay	110	65	29	-	30	235	172	-	-	55.5	54
330 A Stay	198	158	79	-	30	330	266	-	133	65	54
420 A Stay	228	212	160	52	8	440	390	-	240	90	40
500 A Stay	310	258	172	86	30	512	450	-	296	148	54

Note: Letters apply to dimension diagram below.



\*Note: For model 420 HD A, measurement should read 13±1

## DA32 Series Aluminium Hinges

A unique two phase range of 4-bar friction hinges (stays) providing a double operating action for projected top hung (PTH) windows. The first phase allows ventilation whereas the second phase allows the sash to slide into the near horizontal cleaning position. The DA32 double action range is designed to cater for sash weights associated with residential usage up to 18kg.

### Features

- Unique feature allowing easy access for cleaning top hung sashes
- Manufactured with the unique 'pull-in' feature
- A complete range to cater for most applications
- Easy to operate press button – automatically resets on closing
- Designed to provide easy and precise installation
- Black powdercoated finish

### Options

- The DA32 series offers four sizes of double action friction stay: - 250mm, 250mm, 550mm, and 750mm

Stay selection is determined by the sash height and weight (refer chart below).

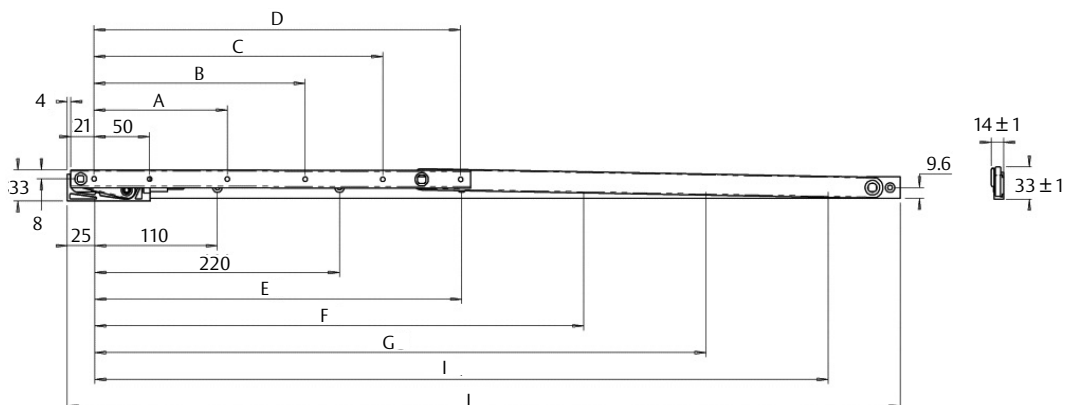


### Specifications

Model	Application	Max. Sash Height	Opening Angle	Max. Sash Weight	Product Number
250 DA32	PTH	375mm	38° / 90°	6kg	P290B
350 DA32	PTH	525mm	30° / 90°	9kg	P291B
550 DA32	PTH	825mm	28° / 90°	14kg	P292B
750 DA32	PTH	1125mm	20° / 90°	18kg	P293B

(mm)	A	B	C	D	E	F	G	H	I	J
250 DA32	-	-	-	100	-	-	-	-	220	253
350 DA32	100	-	-	170	-	-	-	-	322	355
550 DA32	100	-	-	240	330	440	-	-	502	535
750 DA32	120	190	260	330	330	440	550	660	716	750

Note: Letters apply to dimension diagram below.



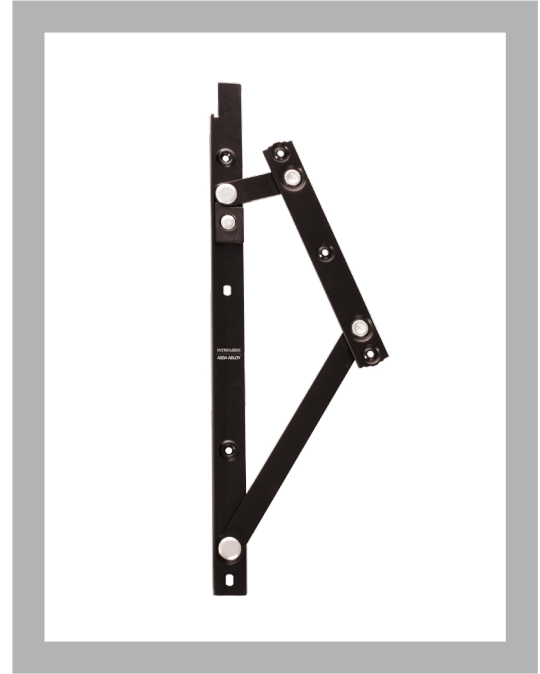
## Nexus

### High Capacity Aluminium Hinges

Developed in response to changing market requirements for larger window sashes in projected top hung windows, the Nexus range can support window weights of up to 60kg and 2m in height, while still maintaining endurance performance and handle forces, making it the highest capacity aluminium residential window stay on the market.

#### Features

- Supports window weights up to 60kg
- For installation in windows up to 2m high
- Patent pending for new innovative integrated friction joint
- Geometry optimized for window range for consistent handle forces
- Manufactured with the unique 'pull-in' feature
- Identification mark for High Friction versions
- For projected top hung windows
- A complete range for residential applications
- Direct replacement for the current A-Stay range
- Made from extruded aluminium with no sliding channels
- Black powdercoat finish



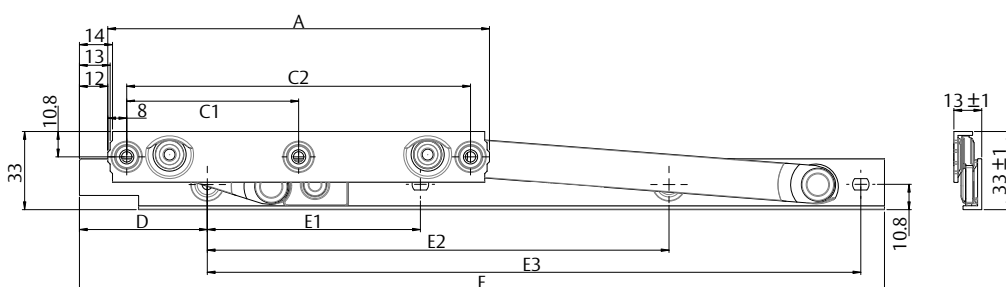
#### Options

- Available in four sizes to cater for sash weights up to 60kg
- Includes specific function models: 'A' Standard Friction, 'H' High Friction, 'N' Non Friction

Model	Application	Max. Sash Height	Opening Angle	Max Sash Weight	Product Number
240A HCA	PTH	600mm	34°	10kg	XP240A
240H HCA	PTH	600mm	34°	18kg	XP240H
240N HCA	PTH	600mm	34°	18kg	XP240N
340A HCA	PTH	1000mm	28°	18kg	XP340A
340H HCA	PTH	1000mm	28°	30kg	XP340H
450H HCA	PTH	1500mm	20°	45kg	XP450H
710H HCA	PTH	2000mm	17°	60kg	XP710H

(mm)	A	B	C1	C2	C3	D	E1	E2	E3	E4	F
240 Stay	113	8	48.6	97.2	-	54	90	176	-	-	240
340 Stay	161	8	72.6	145.2	-	54	90	195	276	-	340
450 Stay	231	8	48.6	166.6	215.2	54	90	276	520	646	450

Note: Letters apply to dimension diagram below.



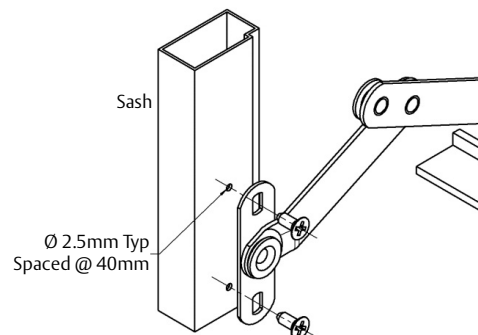
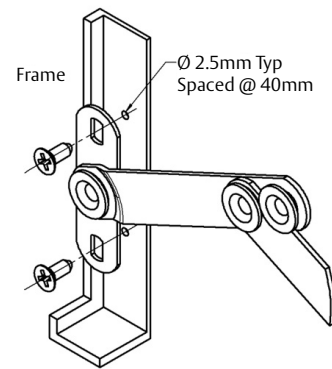
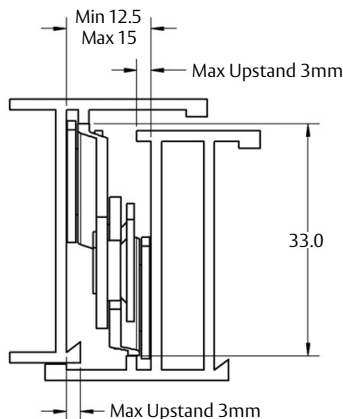
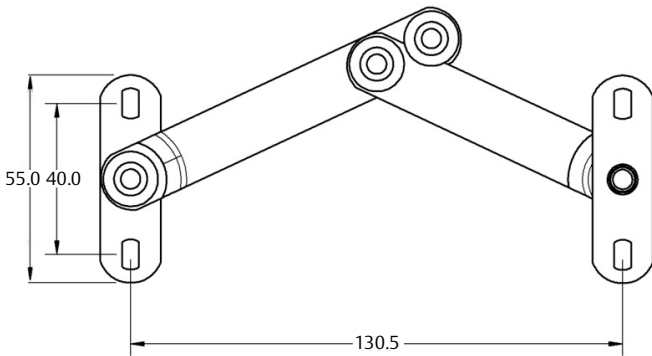
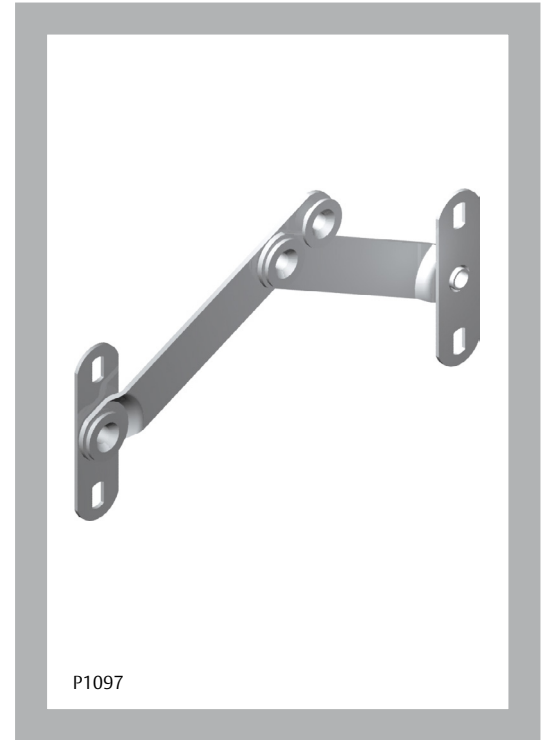
## Safety Stays

### Stainless Steel Window Restrictor

With operator safety in mind the Safety Stay offers a non-releasable restrictor for awning and casement windows. Fitted unobtrusively into the window cavity, the Safety Stay is not visible when the window is closed. The Safety Stay allows ventilation with a degree of security, plus child safety – particularly in multi-storey situations.

#### Features

- The stainless steel scissor arm limits the opening to a maximum of 100mm when installed in the recommended position, helping prevent falling
- Manufactured from non-corrosive 304 austenitic stainless steel
- Designed to be installed within a window cavity of 33mm width and ranging from 12.5mm to 15mm height
- Can be screwed or riveted through the bearing eyelets for strong fixing
- Restricts the sash opening in order to avoid interference with foot traffic in ground level or walk-by situations
- Safety Stays provide a means of controlling open sashes in high windows or when restriction of large or heavy sashes is desired for safety reasons

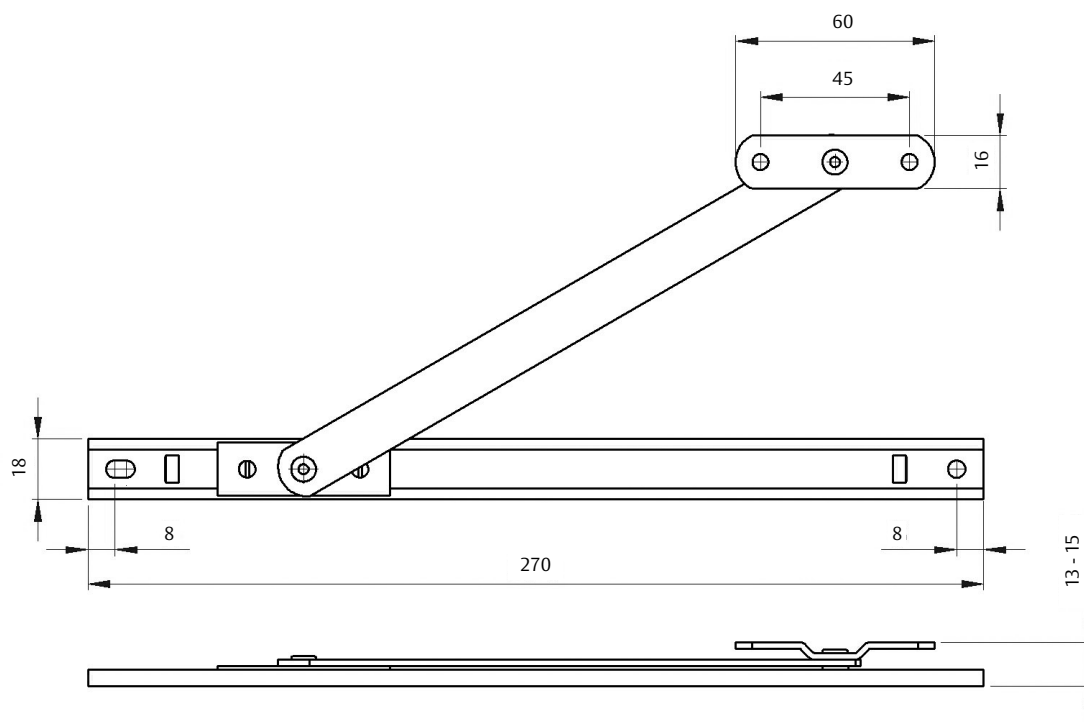


## Casement Restrictor Stays Stainless Steel Window Restrictor

With operator safety in mind, Casement Restrictor Stays offer a non-releasable restrictor for casement windows. The Casement Restrictor Stay allows ventilation with a degree of security – particularly in multi-storey situations.

### Features

- The Casement Restrictor is 270mm in length
- Smooth operation using a plastic carriage manufactured from nylon
- Manufactured from premium grade stainless steel
- Can be used in conjunction with a friction hinge, butt hinge or continuous hinge
- Can also be used as a friction adjustor
- The restrictor is invisible when the window is closed as it is installed in the cavity



## Crest Window fasteners

Inspired by the beauty of the New Zealand environment, the Crest Window Fastener range provides a stylish and contemporary new look to complement modern aluminium joinery.

The Crest Window Fastener range comes in three designs to meet all awning or casement window requirements. The High Profile Fastener is suitable for windows in a range of applications, while the Low Profile Fastener suits a sliding door bypass situation. With two offset opposing tongues, the Venting Fastener provides optional ventilation.

The Crest range of furniture adds a cohesive appearance to the hardware on all doors and windows in the home.

### Application

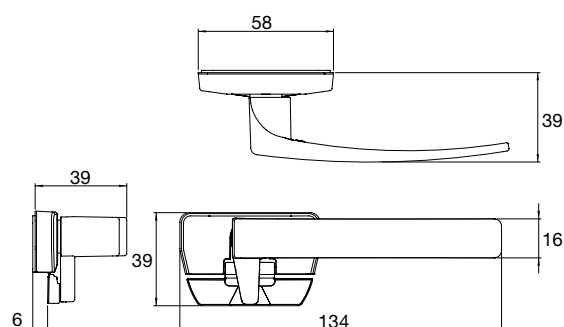
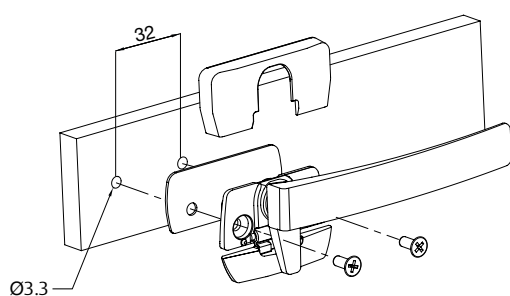
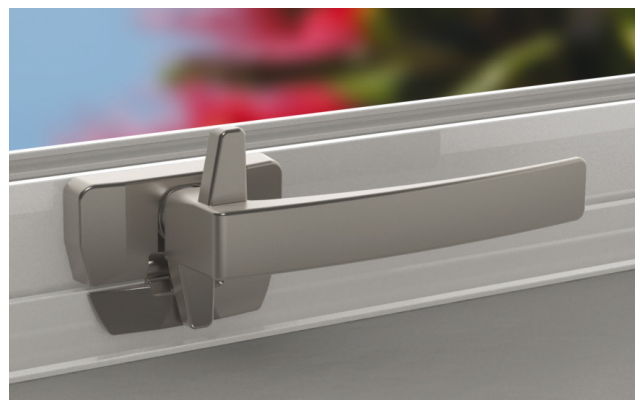
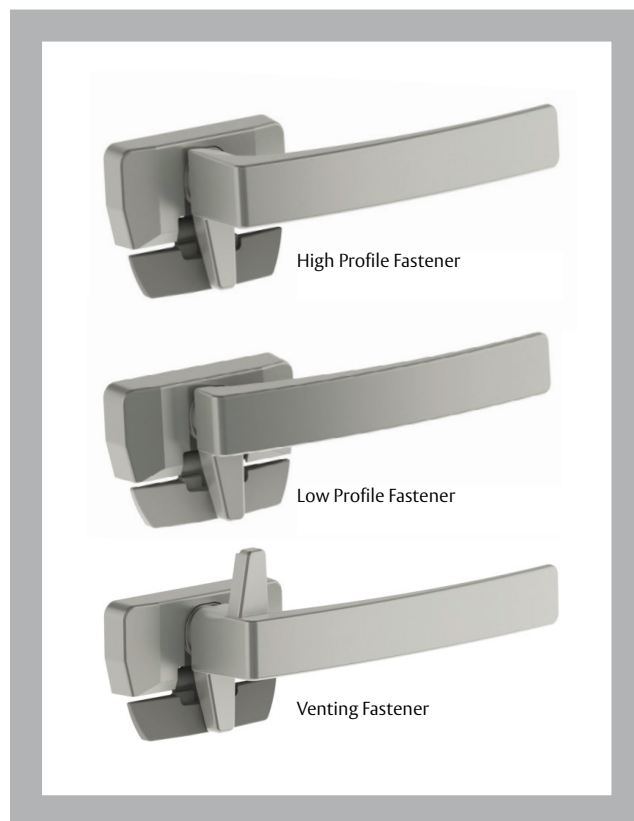
- Suitable for Residential, Architectural and Designer Thermal suites
- Can be used on either casement or awning windows

### Features

- New Zealand designed and made
- Concealed fixing
- Wedgeless design
- Face fixing fastener
- Quality Interlock friction joint providing tested and proven durability
- High quality pressure die-cast main body with colour-matched integrated nylon wedge

### Options

- High profile
- Low profile
- Venting
- Left and right-handed versions
- Available in a wide range of powdercoat colours and satin chrome



## Aria Venting Wedgeless Window Fastener

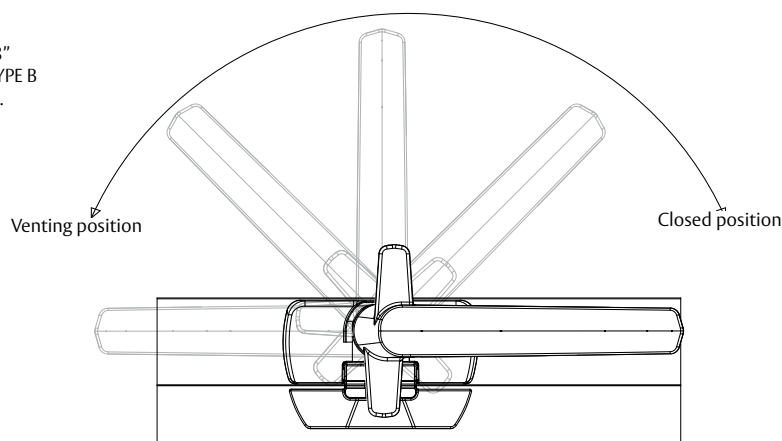
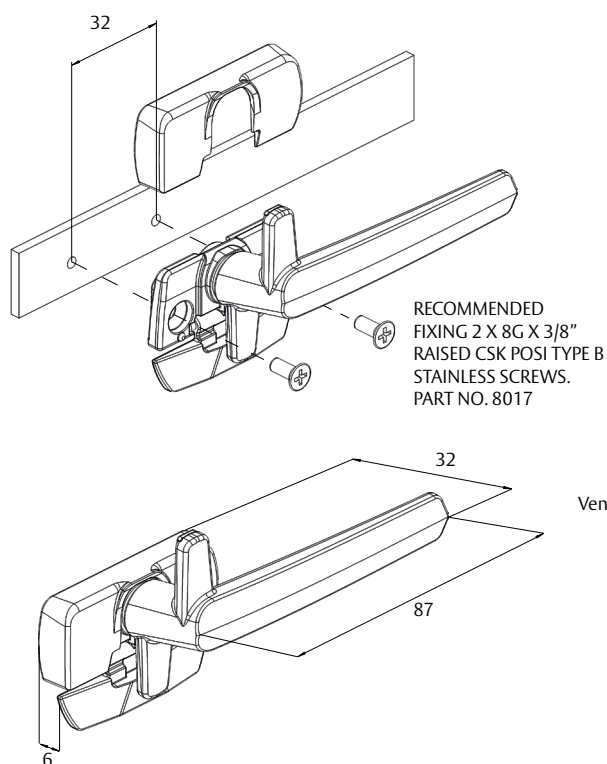
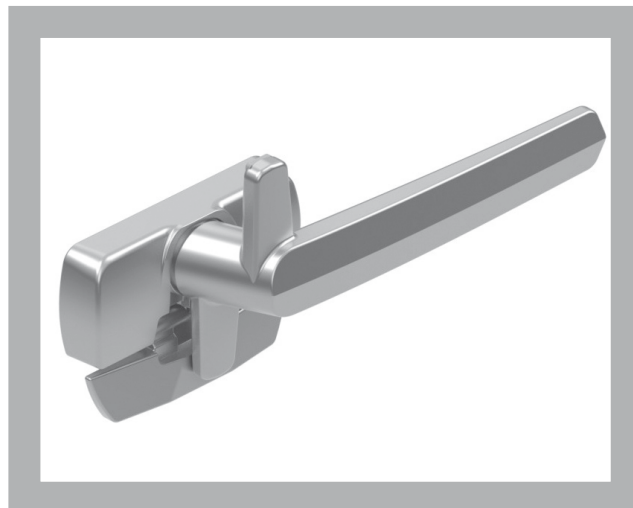
The Aria Venting Wedgeless Fastener is both unique and innovative. Created with opposing tongues, the fastener allows controlled ventilation especially in windy conditions. The wedgeless and concealed fixing design was developed with the end user and fabricator in mind, as it enables easy installation, simple product operation and improves aesthetics. Suitable for use on either aluminium or uPVC, casement or awning windows.

### Features

- Concealed fixing
- Wedgeless design
- High quality pressure die-cast main body with colour-matched integrated nylon wedge
- 6mm, face fixing fastener
- Quality Interlock friction joint providing tested and proven durability
- Opposing tongue allows for one smooth motion from closed to venting position
- New Zealand made

### Options

- Left and right-handed models available
- Available in a wide range of powdercoat colours and satin chrome finish



Right handed fastener example



## Aria Low Profile Confix Window Fastener

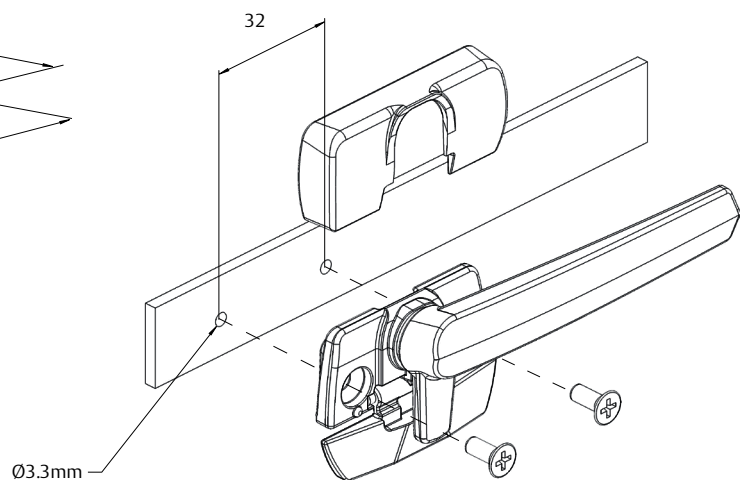
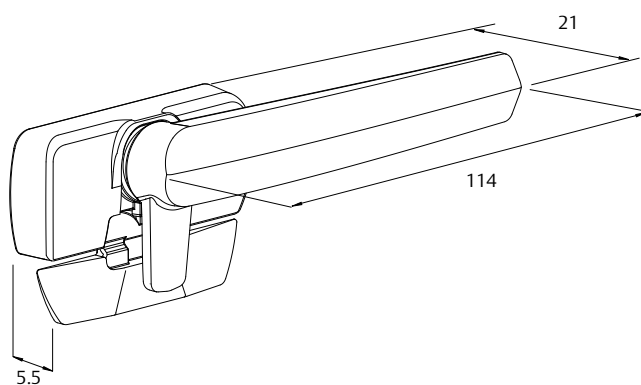
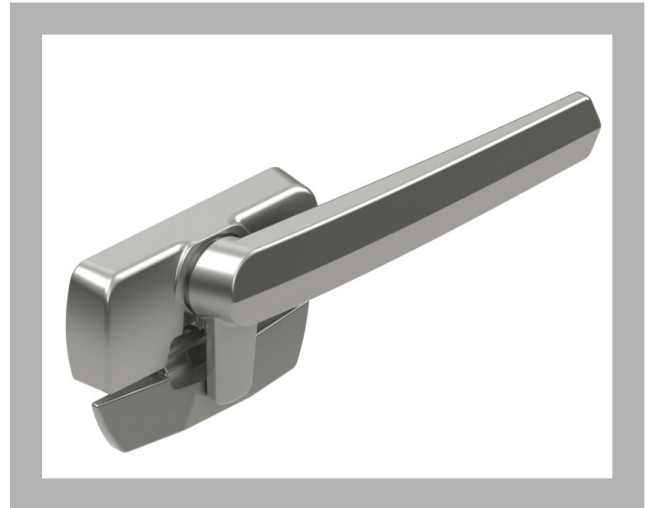
This sleek new handle has a low profile design suited to bi-pass situations, where a sliding door would pass in front of a window. The Confix can also be used as a more subtle alternative throughout the home. It blends seamlessly with the full range of Aria furniture, to create a modern and consistent look. It can be used on either aluminium or uPVC, casement or awning windows.

### Features

- Low profile
- Concealed fixing
- Wedgeless design
- Face fixing
- High quality pressure die-cast main body with colour-matched integrated nylon wedge
- Quality Interlock friction joint providing tested and proven durability
- New Zealand made

### Options

- Left and right-handed models available
- Available in a wide range of powdercoat colours and satin chrome finish



## Aria Wedgeless Window Fastener

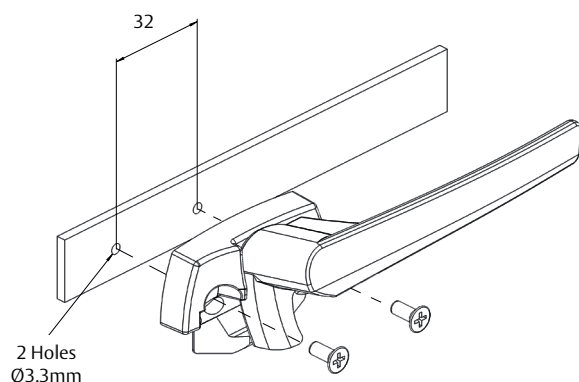
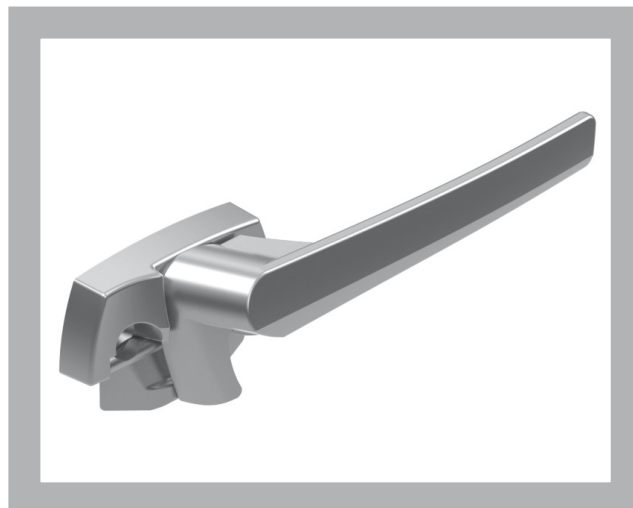
With its innovative wedgeless design this quality window fastener from ASSA ABLOY has the styling features of Aria and complements modern joinery. Designed in high and low profile options, this fastener covers a range of applications, from the awning window in a kitchen to the window that sits behind an open sliding door. This fastener can also be matched to other products throughout your home such as a venting window fastener or even your door handle simply by using the same Aria styled fastener.

### Features

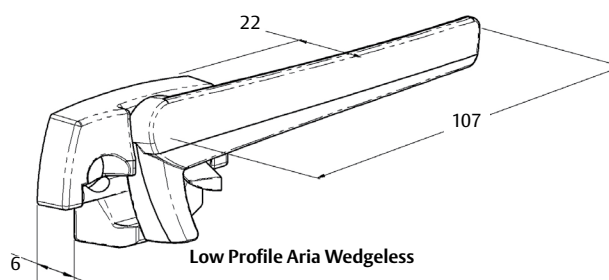
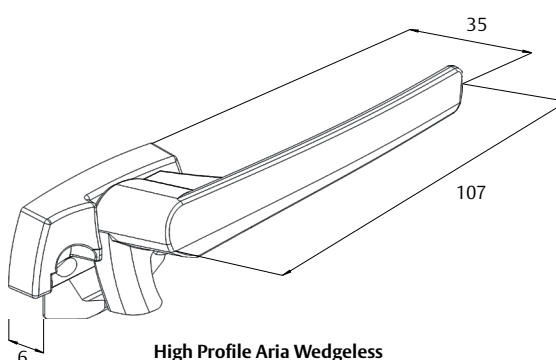
- This easy to install and operate window fastener combines innovation and simplicity with style
- High quality pressure die-cast main body with colour-matched integrated nylon wedge
- Quality Interlock friction joint providing tested and proven durability
- Smooth solid handle with modern styling
- Available with 6mm offset (frame upstand to sash face)
- New Zealand made

### Options

- High profile and low profile available (for use in by-pass situations)
- Left and right-handed models available
- Available in a wide range of powdercoat colours and satin chrome finish



RECOMMENDED FIXING  
2 X 8G X 3/8" RAISED CSK POSI  
TYPE B STAINLESS SCREWS  
PART NO 8017



## Wedgeless Window Fastener

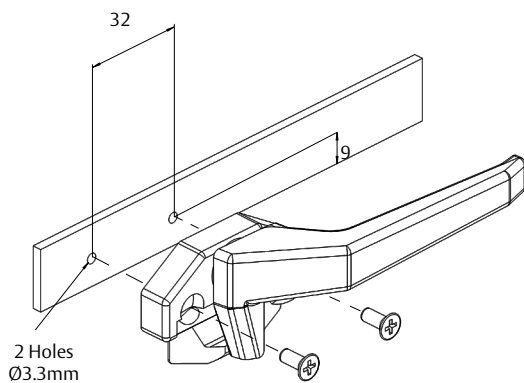
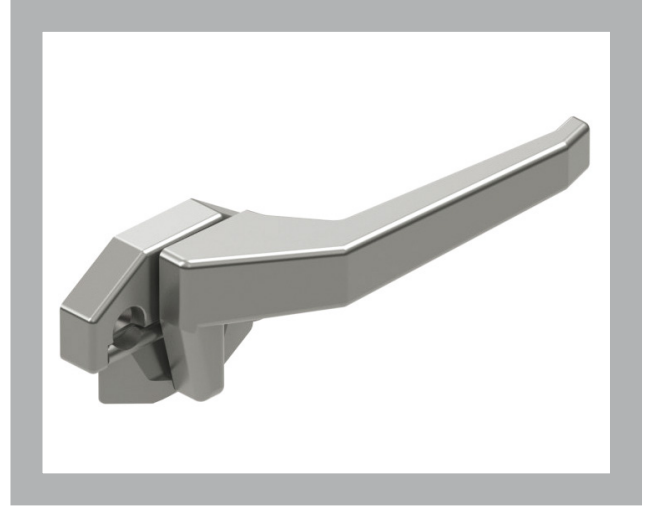
The original wedgeless window fastener incorporates the 'wedge' as a folding flap attached to the base of the handle. This innovative quality window fastener from ASSA ABLOY is for use with aluminium or uPVC windows.

### Features

- This easy to install and operate window fastener combines innovation with simplicity
- High quality pressure die-cast main body with colour-matched integrated nylon wedge
- The Wedgeless has a handle length of 93mm
- New Zealand made

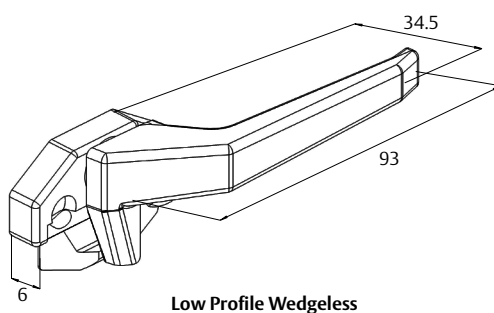
### Options

- High and low profile available
- Low profile can be used in by-pass situations
- Left and right-handed models available
- Available in a wide range of powdercoat colours

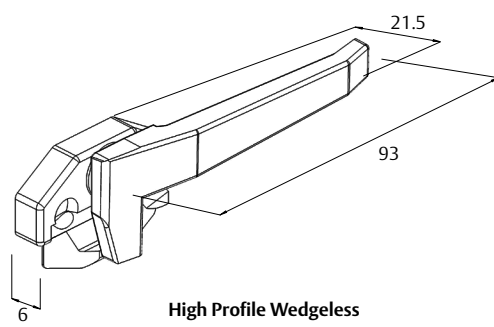


2 Holes  
Ø3.3mm

RECOMMENDED FIXING  
2 X 8G X 3/8" RAISED CSK  
POSI TYPE B STAINLESS  
SCREWS PART No 8017



Low Profile Wedgeless



High Profile Wedgeless

## Wedgeless Deluxe Window Fastener

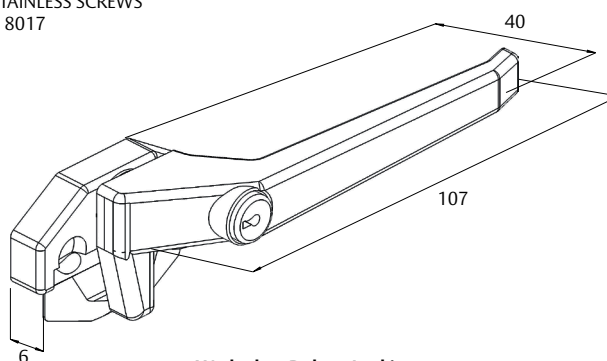
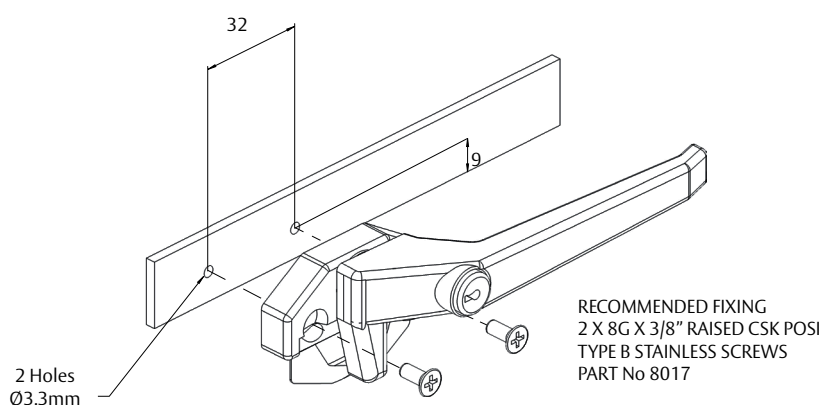
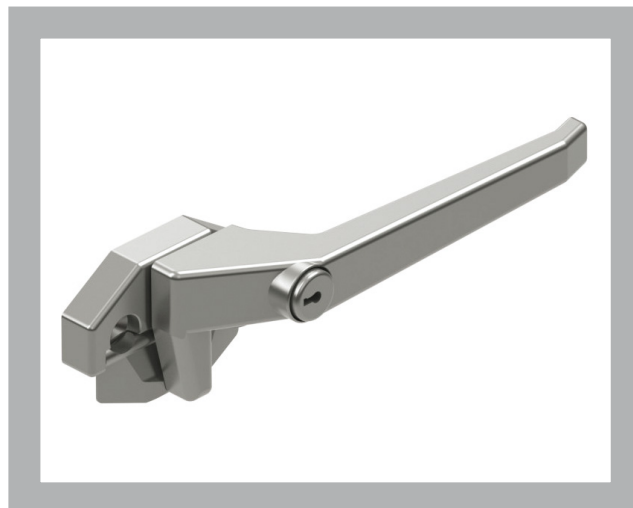
A unique window fastener that has the 'wedge' incorporated as a folding flap attached to the base of the handle and incorporates a push button locking option. This innovative quality window fastener from ASSA ABLOY is for use with aluminium or uPVC windows.

### Features

- This easy to install and operate window fastener combines innovation with simplicity
- Wedgeless Deluxe utilises a push button, cylinder locking option
- High quality pressure die-cast main body with colour-matched integrated nylon wedge
- Wedgeless Deluxe has a longer handle length of 107mm
- New Zealand made

### Options

- Left and right-handed models available
- Available in a wide range of powdercoat colours



Wedgeless Deluxe Locking

## Avon Window Fastener

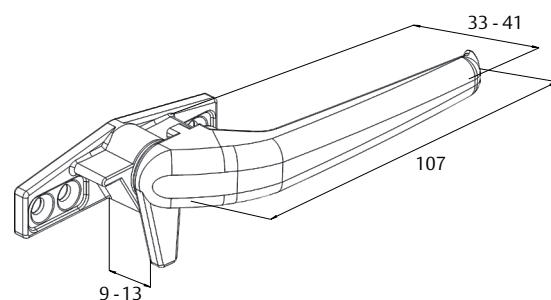
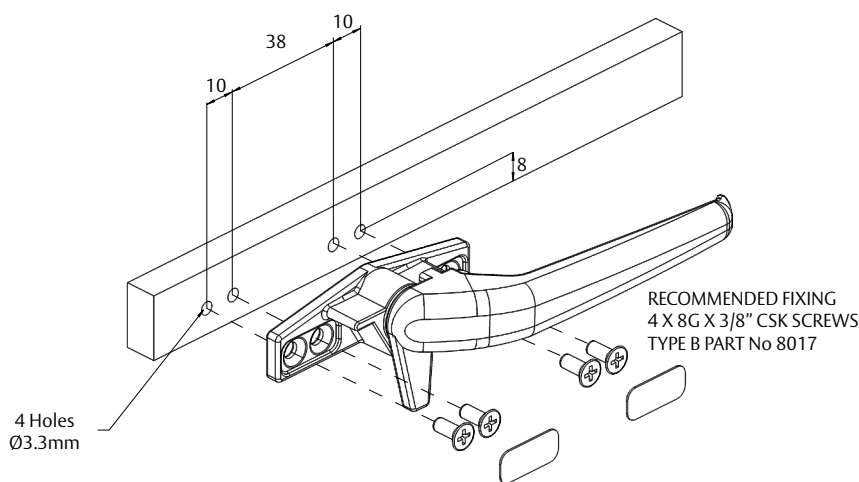
A stylish window fastener available in locking or non-locking design. For use with aluminium or uPVC windows. The popular fastener incorporates smooth contemporary styling, and offers extra security with locking option.

### Features

- The Avon handle incorporates a 4-hole fixed base with screw covers to conceal fixing for aesthetics
- Stylish design
- Strong zinc die-cast construction
- New Zealand made

### Options

- Left and right-handed models available
- Locking or non-locking design
- Available with 9mm or 13mm offset
- Available in a wide range of powdercoat colours and satin chrome finish



## Avon Timber Window Fastener

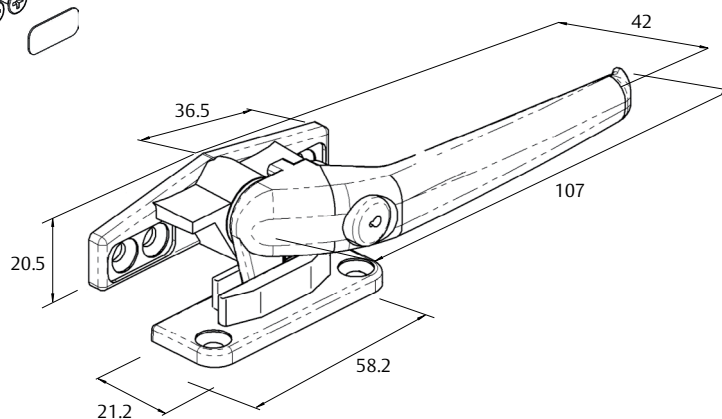
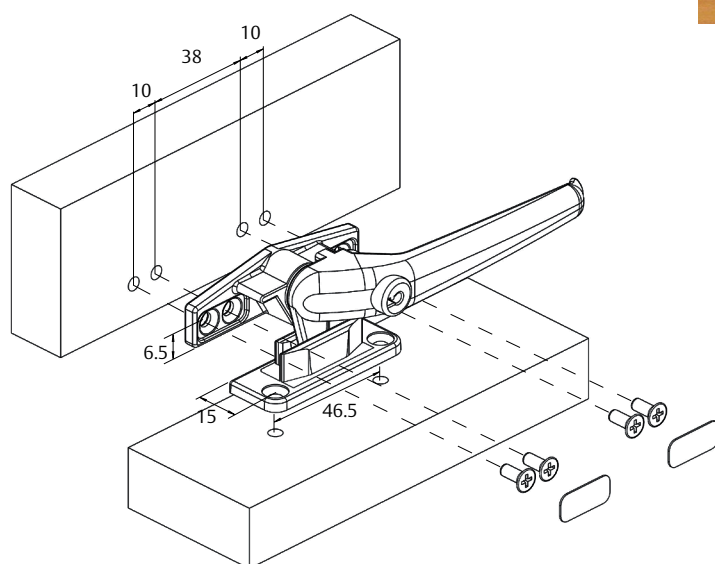
The Avon Window Fastener has been designed for use with timber framing. A strong fastener that offers extra security with its unique lockable option. The Avon is supplied complete with a tongue and keeper arrangement specifically designed to allow ventilation through the split-rail wedge.

### Features

- Robust design
- Split-rail wedge allows for safer ventilation
- Offset fixing screw location helps avoid splitting of the timber
- Strong zinc die-cast construction
- Pushbutton locking option for added security
- Available with 17mm offset
- New Zealand made

### Options

- Left and right-handed models available
- Locking or non-locking design
- Different plating options
- Available in a wide range of powdercoat colours and plated finishes



## Styleline 2 / Slimline 2 Window Fastener

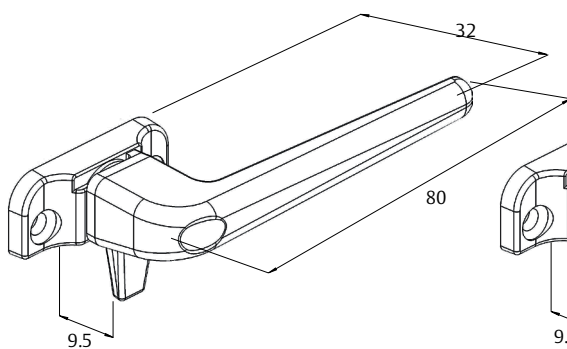
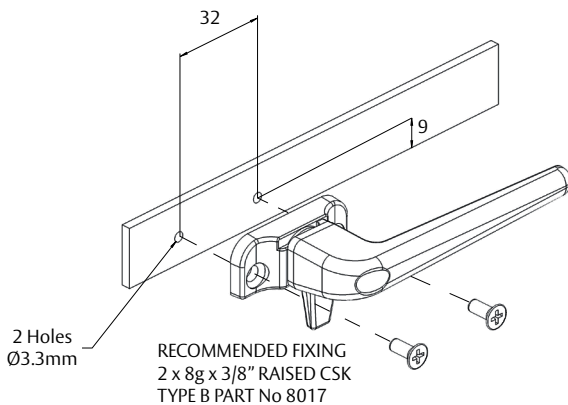
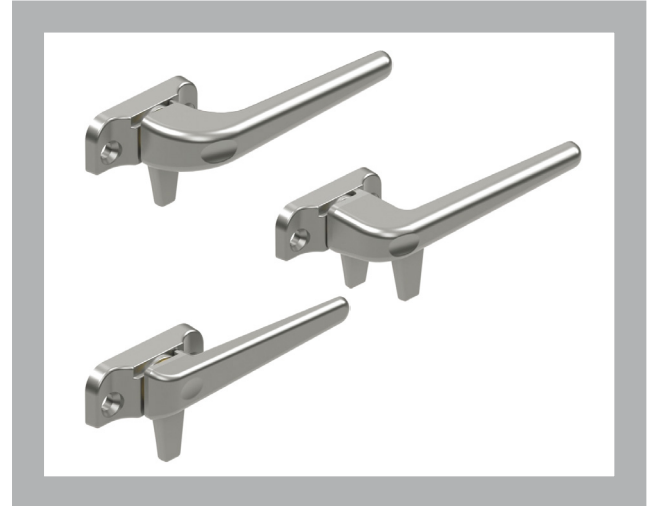
Designed specifically in line with leading architectural innovations, ASSA ABLOY offers a range of reliable and robust window fasteners. The simple styling and unobtrusive lines of the Styleline 2 and Slimline 2 make an attractive range of fasteners.

### Features

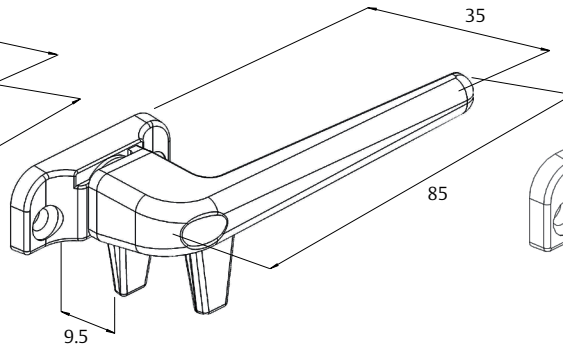
- Designed for use with either aluminium, uPVC or timber, awning or casement windows
- Slimline 2 is a low profile fastener for use in by-pass situations
- New Zealand made

### Options

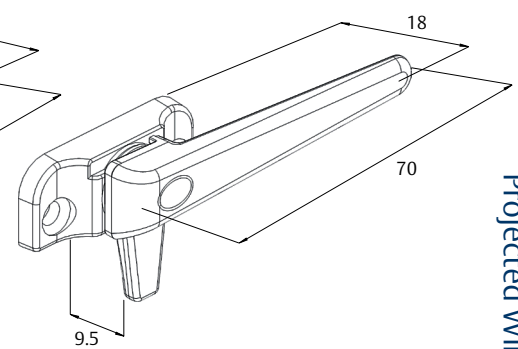
- Left and right-handed models available
- Styleline 2 is available in single or double tongue models
- Available in a wide range of powdercoat colours



Styleline 2 - Standard



Styleline 2 - Double Tongue



Slimline 2

## Wedges

### Additional Fastener Components

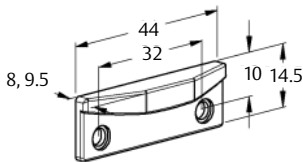
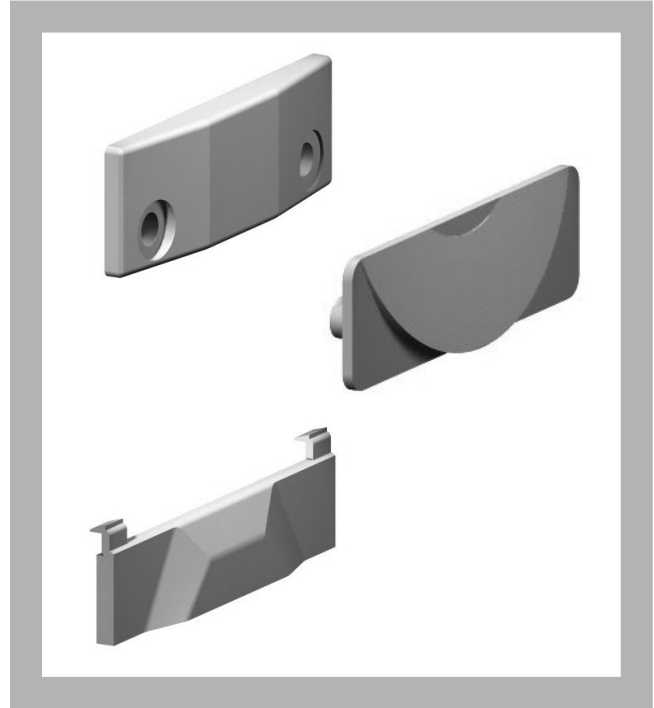
ASSA ABLOY's wide range of wedges work in conjunction with the window fasteners to ensure a tight seal between the window sash and the window frame. All conventional window fasteners require a wedge to be fitted to the window frame, providing a surface for the tongue of the window fastener to compress and seal for a watertight window.

#### Features

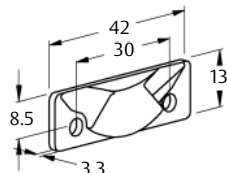
- Manufactured from high quality nylon to provide a long life and low friction wedging action
- Design options offer ease of installation along with neat appearance

#### Options

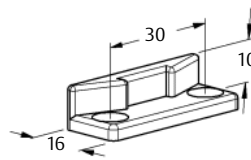
- Rivet fix
- Pin fix
- Adhesive fix
- A range of colours (in some models) available to suit the joinery
- Various thicknesses available
- New Zealand made



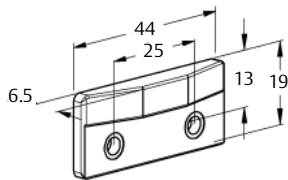
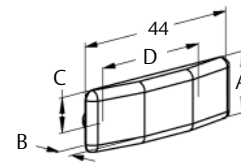
Product No.'s  
2651, 2671



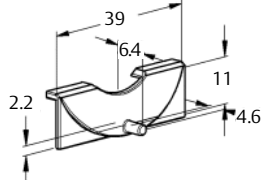
Product No.  
8712



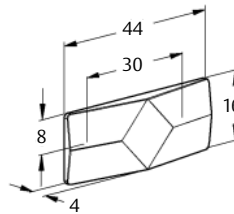
Product No.  
505



Product No.  
2694

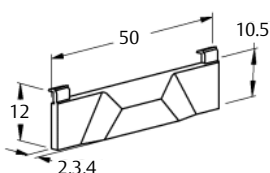


Product No.  
8710

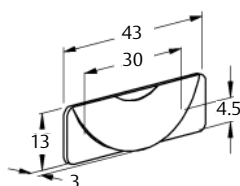


Product No.  
2631

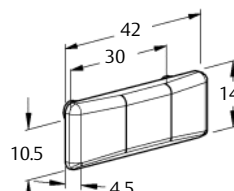
Product No.'s	A	B	C	D
2611	13	3.5	5.5	30
2612	11	3.5	5.5	30
2661	14	4.2	6.0	30
2692	15	7.8	4.0	25



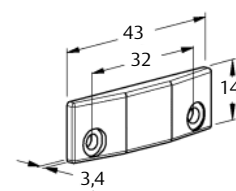
Product No.'s  
8714, 8713, 2695



Product No.  
8711



Product No.'s  
2693, 2641



Product No.'s  
2682, 2621



## Elevation

### Electric Window Operator

The Elevation Window Control System offers the perfect combination of convenience, flexibility and safety with the ability to control up to 30 windows through a simple touch screen.

Through the use of zones, the Elevation can be configured to reflect the unique layout of any home or commercial building, making it the ideal system for hard to reach windows. The Elevation makes opening or closing all windows, or windows within a specified area, effortless.

With a built in chain release feature, installing the Elevation actuator is easy and can be completed without being connected to power.

#### Features

- Intuitive touch screen keypad controls up to 30 windows with pre-set options 'closed', 'vent', 'half' and 'full'
- Actuators operate simultaneously (with 24VDC motor) and can be grouped into zones
- Synchronise two actuators to cater for wide windows
- 9kg closing force per actuator ensuring a tight window seal when closed
- Strong, corrosion resistant stainless steel chain (grade 302)
- Chain length is adjustable in 10mm increments to limit window opening
- Release key allows chain to move freely for ease of installation
- Programme in a pin code to restrict access to keypad
- Suitable for awning or casement windows
- Can be fixed to timber or aluminium
- Elevation actuator made in New Zealand

#### Options

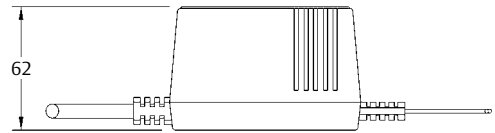
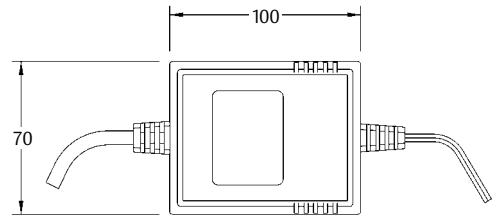
- Touch screen or wall switch control option
- Actuators are available in a range of colours to complement any window design and/or finish
- Add 1 or 2 keypads per Elevation system
- Rain sensor option (add up to 4). Rain sensors can be allocated to a specific zone and be configured to either vent or close upon rain detection, as well as re-open when dry
- Standalone Operator – designed to control a single remote window with a simple on/off switch
- Able to be used where there is an electronic control system
- The stroke length of the standalone model can be set to either 150mm or 250mm combined with an electronic control system



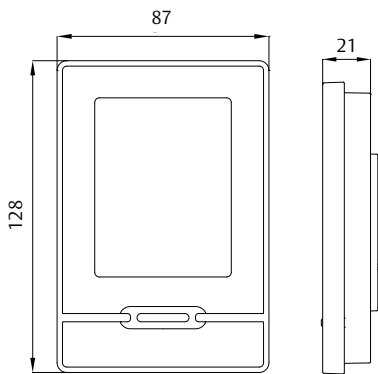
# Projected Window Hardware

## Elevation

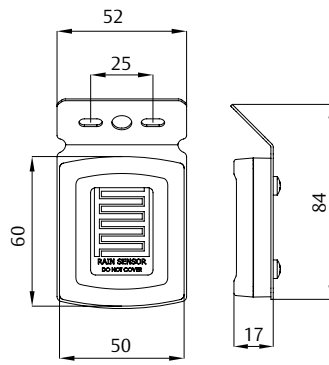
### Electric Window Operator



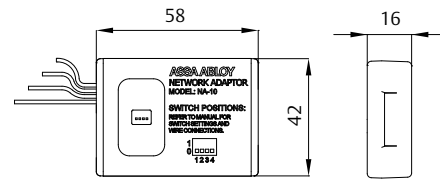
Power Supply



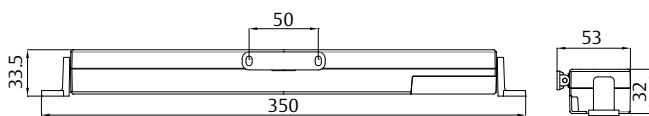
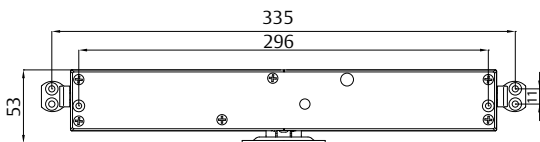
Touch Screen



Rain Sensor



Network Adaptor



Actuator

## Ultimate One Multi-Point

The Ultimate One has been developed for commercial applications, providing an unmovable resistance to suction from negative pressure. Perfect in extreme weather or high pressure situations, the Ultimate One provides a safe, secure and reliable aluminium window locking option.

The components of the Ultimate One curtain walling system have been developed to support each other in controlling opening vents weighing up to 150kg.

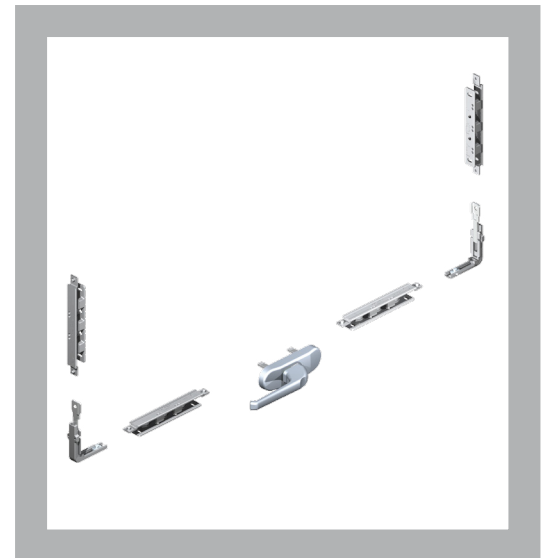
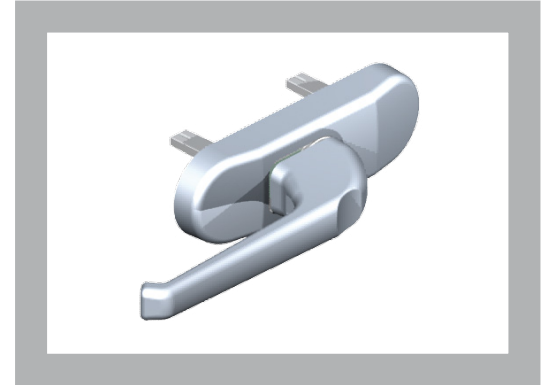
### Features

- With just one control handle, the vent is secured on three sides through the bi-parting rack and pinion mechanism operating the multi-point lock
- Designed to suit industry standard C-Groove
- New Zealand made

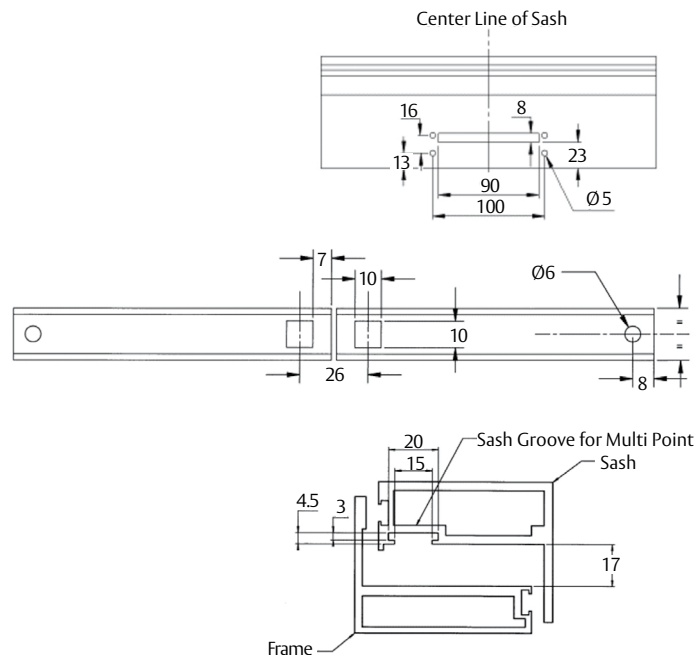
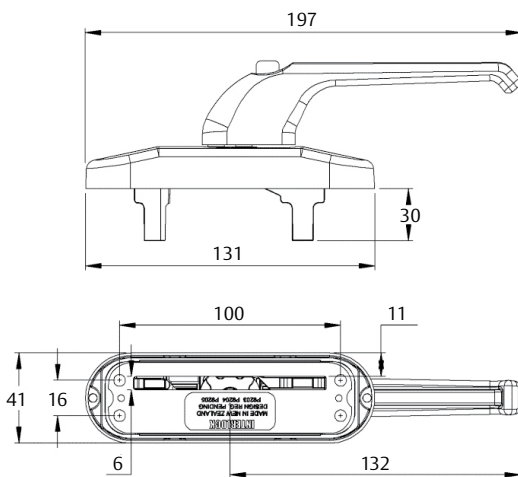
### Options

- Locking, non-locking and removable handle options are all available
- Locking can be 2 or 3-point on one window edge or 4 to 6-point for three edges
- Ultimate One can be used as just a multi-point locking kit or a complete curtain walling hardware package when combined with pivot and restrictor kit
- Snubber kits are available for high pressure applications
- Note: Actuator bars are required but not included in the Ultimate One system supplied

**Note:** Due to the nature of the Ultimate One curtain walling hardware, and the vast number of variables that need to be considered when recommending hardware for use with such large heavy sashes, ASSA ABLOY wishes to treat each enquiry on a case-by-case basis. Upon receipt of the project specification, ASSA ABLOY will provide a product recommendation and a customer installation drawing for each project.



### Typical Section Detail



# Projected Window Hardware

## Resolute One Multi-Point

The concealed multiple locking system which offers an effective and appealing window locking solution where more than one locking point is required. The versatile design enables the Resolute One to be adapted to window sash designs whether structurally glazed or constructed with the use of an external glazing bead.

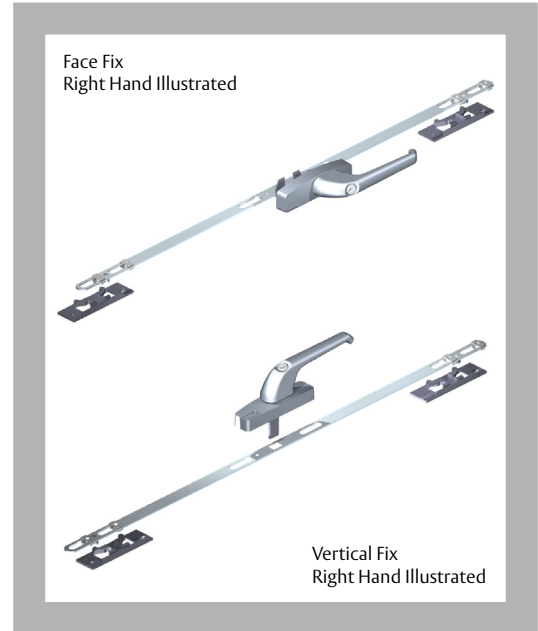
### Features

- The Resolute One handle incorporates a 4-hole fixed base with screw covers to enhance its aesthetic appeal
- With minimal routing required, the design of Resolute One is easily installed
- The keeper and raised retainer arrangement creates a unique self-alignment feature which insures that the sash is in the correct position before locking
- The solid stainless steel lock pin offers a high resistance to external negative pressure
- The locking bar is manufactured from 304 grade austenitic (non-magnetic) stainless steel
- New Zealand made

### Options

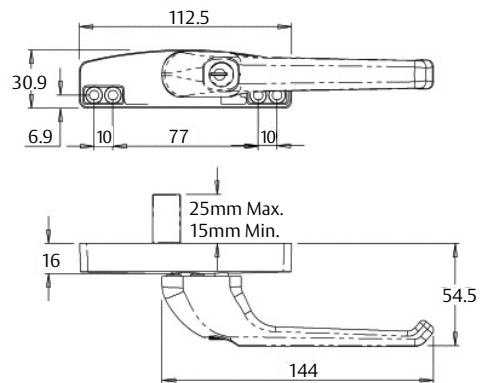
- Locking, non-locking and removable handle options are all available
- Locking bar options:
  - 300mm 2-Point Locking
  - 600mm 2-Point Locking
  - 900mm 3-Point Locking
  - 1300mm 3-Point Locking
- One Handle (Tongue length: max 25mm, min 15mm)
- One Locking Bar (Includes retainers and screws.  
Tab length: max 19mm, min 0mm)
- Keepers (2 required for 300mm and 600mm locking bars;  
3 required for 900mm and 1300mm locking bars)

**Note:** When ordering Resolute One, each window requires:

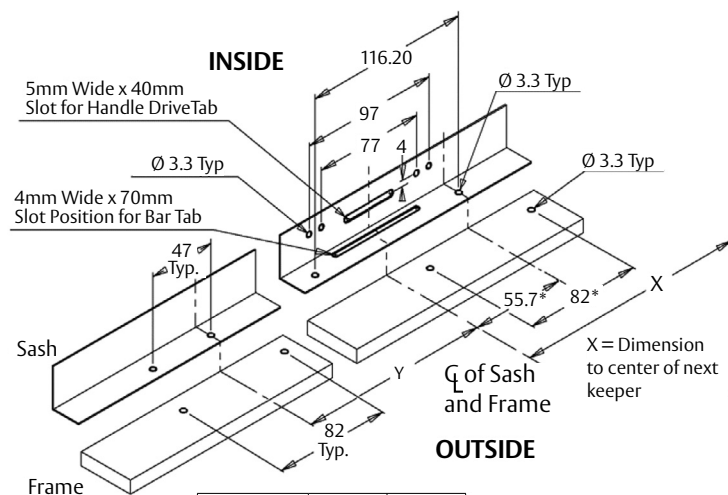
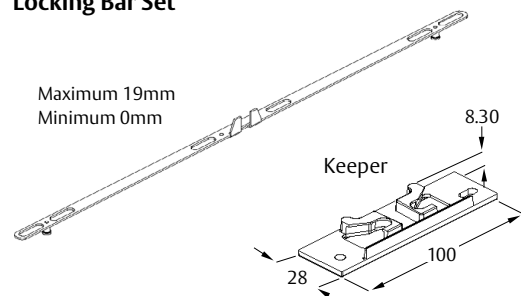


Due to the nature of the Resolute One and the vast number of variables, ASSA ABLOY recommends that the customer discuss the application prior to ordering.

### Handle Set



### Locking Bar Set



	X	Y
300mm Bar	171.3	128.7
600mm Bar	321.3	278.7
900mm Bar	471.5	428.5
1300mm Bar	671.5	628.5

\* These Details are not required for 300 and 600mm bars

## Blade Multi-Point

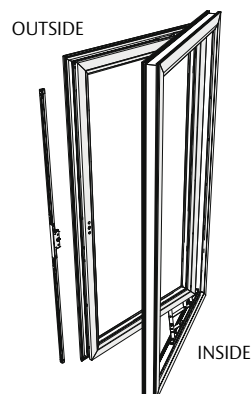
The Blade is the revolutionary new window lock. Redefining expectations of performance and delivering additional new benefits to fabricators, installers and consumers. The Blade offers greater lock engagement for additional security as it connects along the full length of the keep. And, unlike other window locks, the Blade's aluminum channel uses the full depth of the eurogroove to enhance the strength of the window. This means some systems can reach PAS24 without the need for additional re-enforcement.

### Features

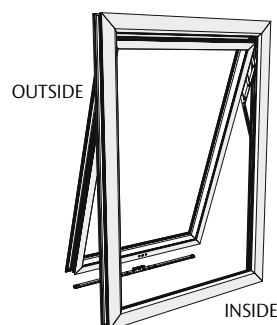
- Outstanding anti-corrosion performance
- Uses full eurogroove to enhance window strength
- Unique 20mm or 22mm retractable gearbox patented design allows for easy maintenance
- Reversible gearbox
- Keeps can be fitted at any time and do not need marking to ensure greater manufacturing efficiencies
- Fewer fixings than other window locks for faster fitting
- One Blade height suits all applications, reducing stock holding for multi-system users
- A fully retracting blade delivers greater clearances
- The unique geometry and precision engineering eliminates cam clash
- The rotating action and keep engagement eliminates wear and the need for adjustability; speeding up installation and reducing call backs
- Available in an offset variant where lower placed handles are necessary
- Eliminates loss of compression performance
- Gives lock engagement along the full length of the window
- Suitable for sash sizes from 220mm to 1629mm
- Tested to BS EN 1670 Grade 4 (240 hours NSS) and endurance tested to 30,000 cycles



PROJECTING SIDE HUNG (PSH)



PROJECTING TOP HUNG (PTH)





# SECTION C

## Bi-Folding Window and Door Hardware

Twin Bolt Locksets	C2 - C3
Pinnacle Bi-Fold Locksets	C4
Flush Bolts	C5
Bi-Fold - Heavy Duty Range	C6
Hinges	C7

## Aria / Uno Twin Bolt for Bi-Folding Windows and Doors



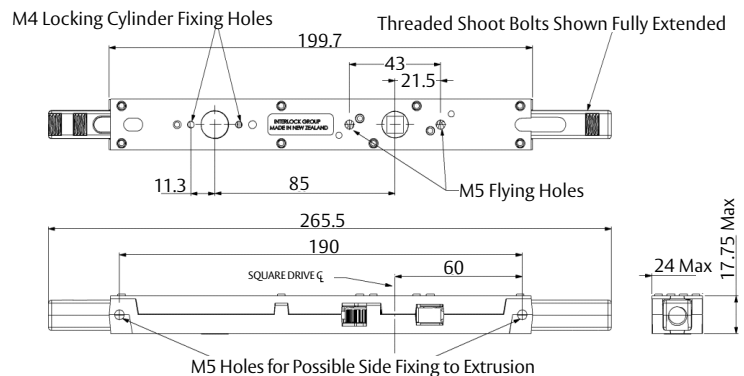
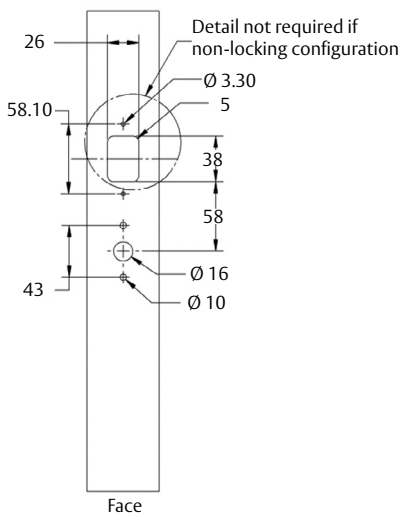
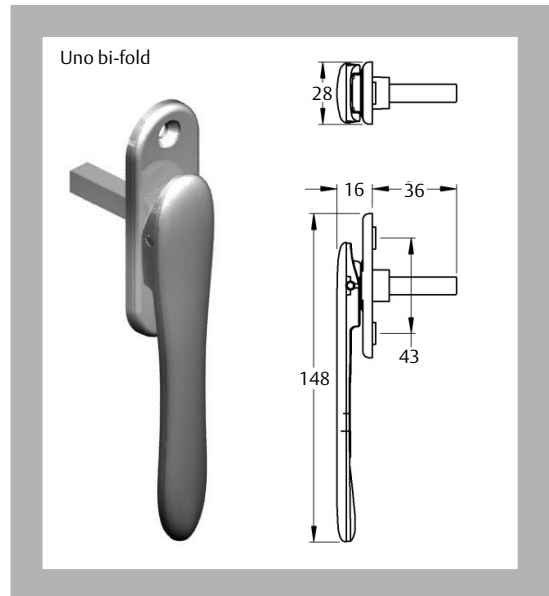
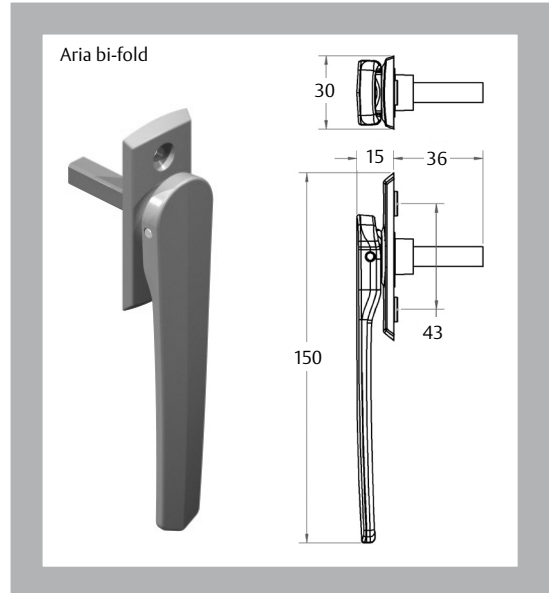
The Twin Bolt lock body has been designed for use on both bi-fold windows and doors. The Twin Bolt combines security features with a practical design, fulfilling the needs created by architectural innovations within the residential market. Suitable for use with aluminium or uPVC hinged windows and doors.

### Features

- Twin Bolt features internal locking only
- Standard rod length 1 x 1m + 1 x 1.3m
- Provides two points of security with throw rods top and bottom (13mm throw)
- Practical, easy installation
- Zinc die-cast construction
- Standard moulded plastic packers and fixing screws provided
- Threaded rod connection provides easy adjustment
- Handle turning angle of 90 degrees
- Can be keyed alike to other ASSA ABLOY CYL4™ locks for one key convenience
- New Zealand made

### Options

- Can be used with Aria or Uno handle for bi-fold kit application\*
- Non-locking (internal handle only) or locking (internal handle and cylinder)
- Multipoint rod extension kit available



\* Fits door with a minimum cavity of 18mm x 24mm  
When using an Aria or Uno handle, a gap of 16mm between bi-folding panels is required

## Crest Twin Bolt for Bi-Folding Windows and Doors

Inspired by the beauty of the New Zealand environment, the Crest Bi-fold Handle brings a stylish and contemporary look to complement your aluminium joinery. Its unique bi-fold handle design hides fixing screws and features a subtle, ergonomic shape.

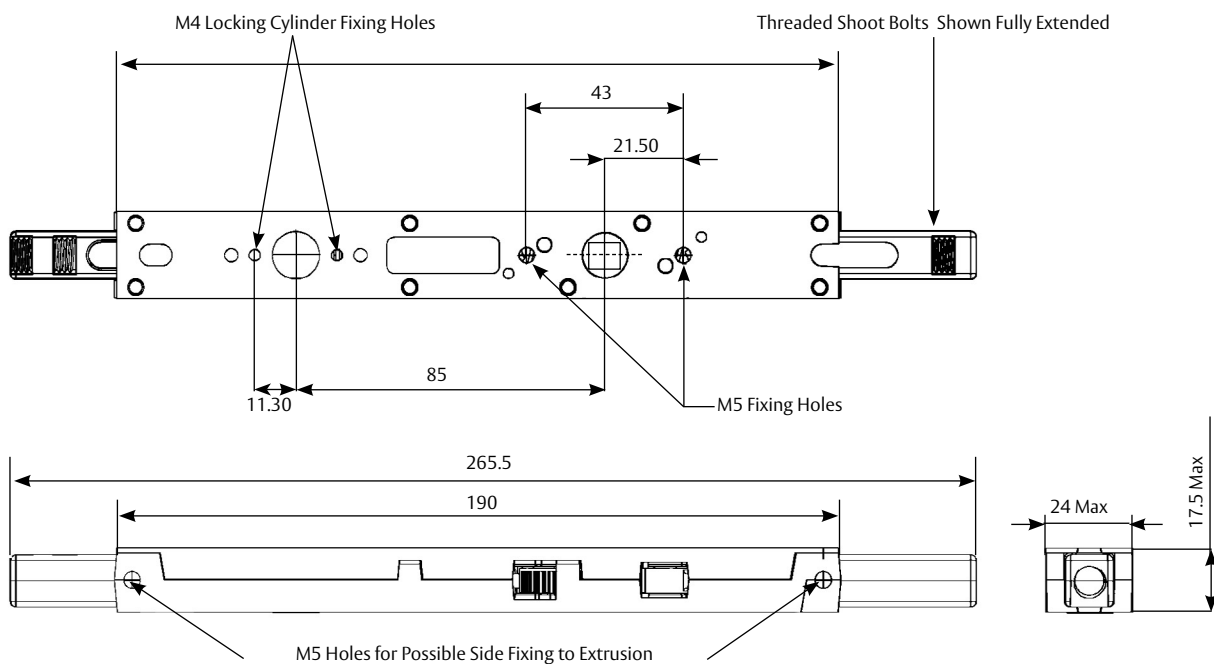
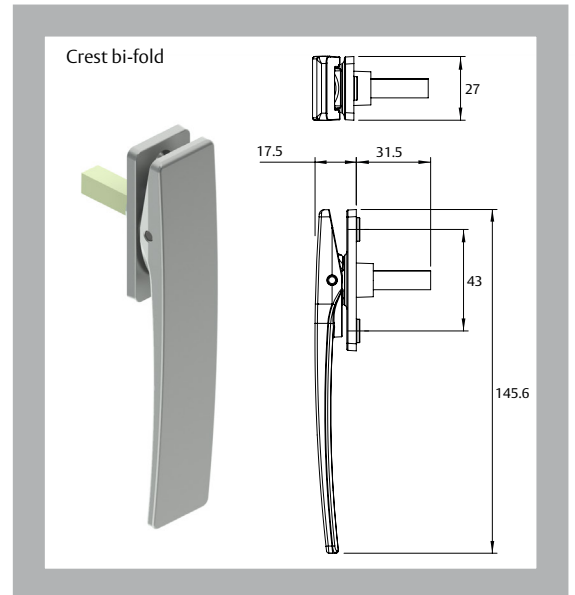
The Crest Bi-fold Handle has been designed for use with the multipoint Twinbolt bi-fold lock platform. The Crest range of furniture provides a cohesive appearance to the hardware on all doors and windows in the home.

### Features

- New Zealand designed and made
- Single central point of operation for rods
- Can be keyed alike with other Crest hardware in the home for one key convenience
- Provides two points of security with throw rods top and bottom (14mm throw)
- Practical, easy installation
- Zinc die-cast construction
- Standard moulded plastic packers and fixing screws provided
- Threaded rod connection provides easy adjustment
- Handle turning angle of 90 degrees

### Options

- Non-locking (internal handle only)
- Locking (internal handle and cylinder)
- Available in a wide range of powdercoat colours and satin chrome





## Pinnacle Bi-fold Locksets



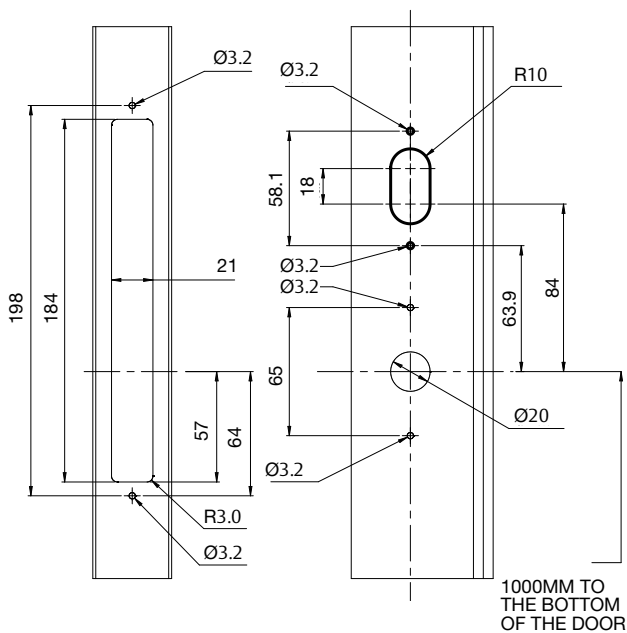
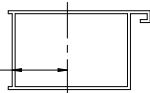
The Pinnacle Short Backset Bi-fold Lock has been designed to benefit fabricators who, because of its depth, are not able to use the current Pinnacle lock as a standard platform in their stiles. Like the current Pinnacle lock, the Short Backset option has been designed to function with standard euro cylinders and Uno, Aria and proprietary bi-fold levers.

### Features

- Smaller 25mm backset
- With the use of packers, it is available in 30, 35 and 40mm backsets
- Able to be retrofitted using existing Pinnacle routing in 30, 35 and 40mm backsets
- Easier to install
- 22mm of throw enables customers to achieve optimal weather performance on their systems
- Uses a Euro 5 pin cylinder (*no proprietary cylinder required*)
- Does not require all the packers that the TBL needs
- Possible commercial application opportunities, where panels are getting bigger and section profiles smaller
- Easier to remove and service the locking mechanism if necessary



25 BACKSET ROUTING IS 23mm FROM FACE  
30 BACKSET ROUTING IS 28mm FROM FACE  
35 BACKSET ROUTING IS 33mm FROM FACE  
40 BACKSET ROUTING IS 38mm FROM FACE



## Flush Bolts

The Interlock flush bolt range is used for the safe bolting of aluminium doors and windows. The 7mm diameter plated steel rod provides high security and is activated by a strongly constructed die-cast zinc body and operating lever with comfortable finger grip.

### Features

- A rod guide is also supplied for fitting inside the door / window frame
- A 600mm rod option is also available

### Options

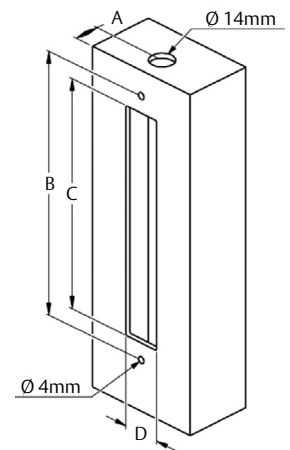
The range has three variants-

- **Surface-mounted model** with standard width face plate, can be mounted either on the face or on the leading edge of a door stile
- **Surface-mounted narrow face plate**, is suitable for bi-fold windows as well as doors because of its smaller lines
- **Recessed model**, has a shorter overall length and is recessed into a door stile to give a smooth, flush appearance.
- Sizes and types to suit both doors and windows
- Available in a range of colours to match decor

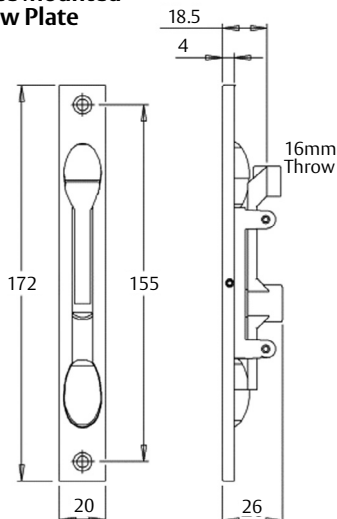


	A	B	C	D
P3512 Surface Mounted	13	153	120	19
P3513 Recess Mounted	17.5*	129	110	23
P3514 Surface Mounted Narrow	15	155	120	18

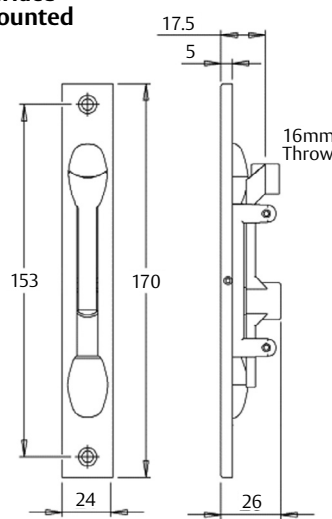
\* Measured from inside of extrusion



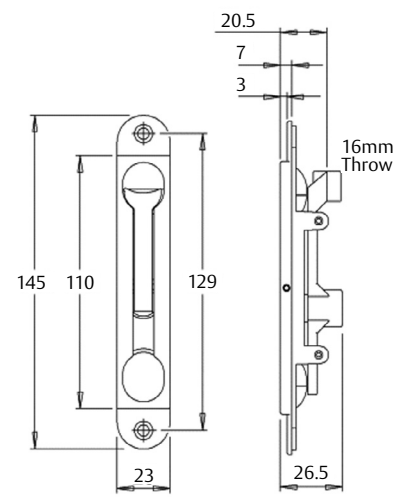
### Surface Mounted Narrow Plate



### Surface Mounted



### Recessed

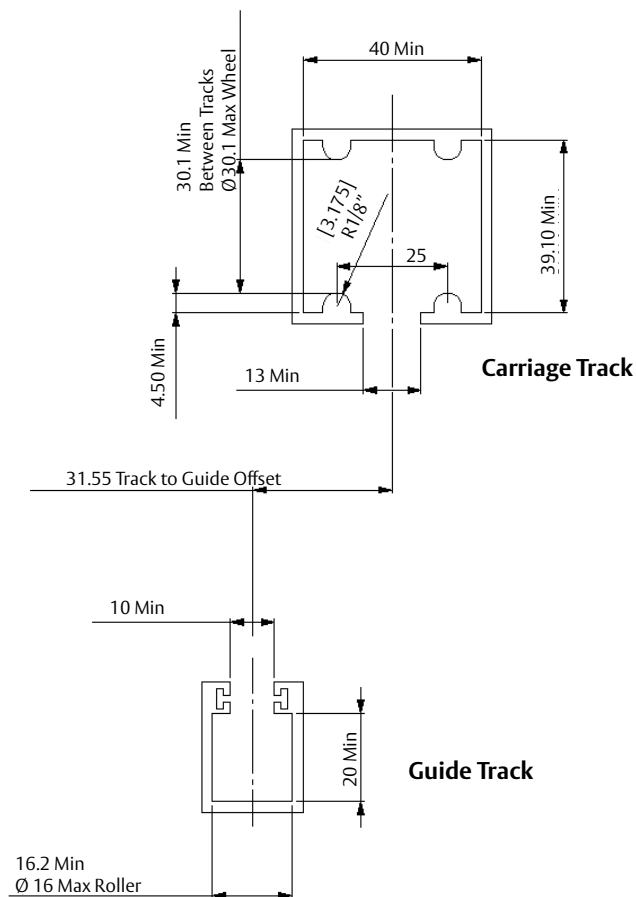


## Heavy Duty Bi-fold

This heavy duty bi-fold system is designed for aluminium doors. The system is made up of three components: a carriage/bottom set guide, a hinge and a D-Handle.

### Features

- Maximum recommended panel sizes of 3000mm high by 900mm wide
- Maximum panel weight of 80kg
- Vertical adjustment of 10mm
- Hinges are non-handed and have removable hinge pins
- Carriage and guide sets are available in left, right hand and central configurations
- Includes complementing D-Handle
- New Zealand made

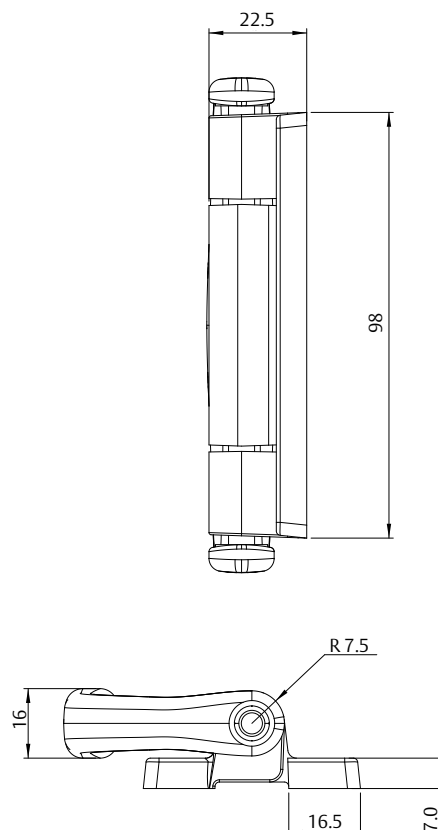
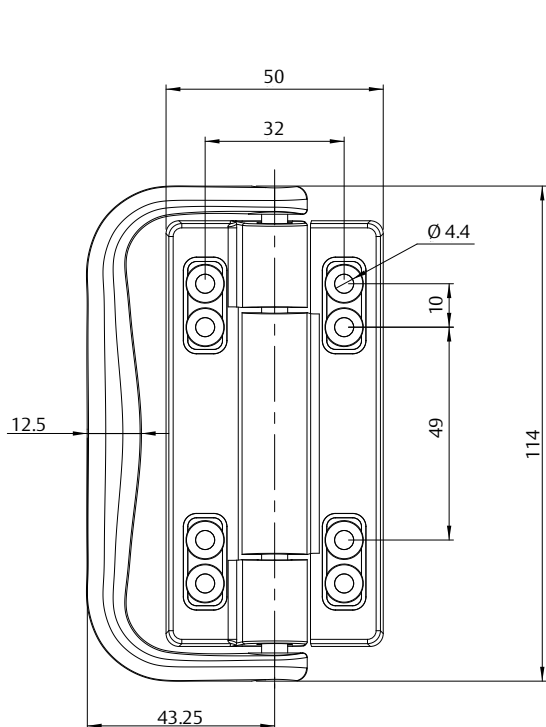


## Surface Bi-fold D-Handle / Hinge

The Interlock range of folding door hardware has been specifically designed to fit timber joinery, the use of which has become more popular in recent years. The D-Handle and Hinge is part of this thoroughly tested range of quality hardware for bi-folding exterior doors and windows.

### Features

- Available in a wide range of powdercoat colours
- Ergonomically designed 'D' handle for comfortable grip and easy operation
- New Zealand made





## SECTION D Sliding Window and Door Hardware

Crest Locksets	D2
Endeavour Mortice Locksets	D3 - D6
Albany Mortice Locksets	D7
Sliding Door Accessories	D8
Electronic Roller Door Locks	D9 - D10

## Crest Sliding Door Lock

Inspired by the beauty of the New Zealand environment, the Crest Sliding Door Handle offers a stylish, contemporary and attractive pull option for sliding doors.

With a large comfortable grip area, the Crest D Handle is ergonomically designed for use with the Pinnacle Sliding Door Lock. The lock has been developed with features designed to significantly improve functionality in sliding door applications.

The Crest range of furniture provides a cohesive appearance to the hardware on all doors and windows in the home.

### Application

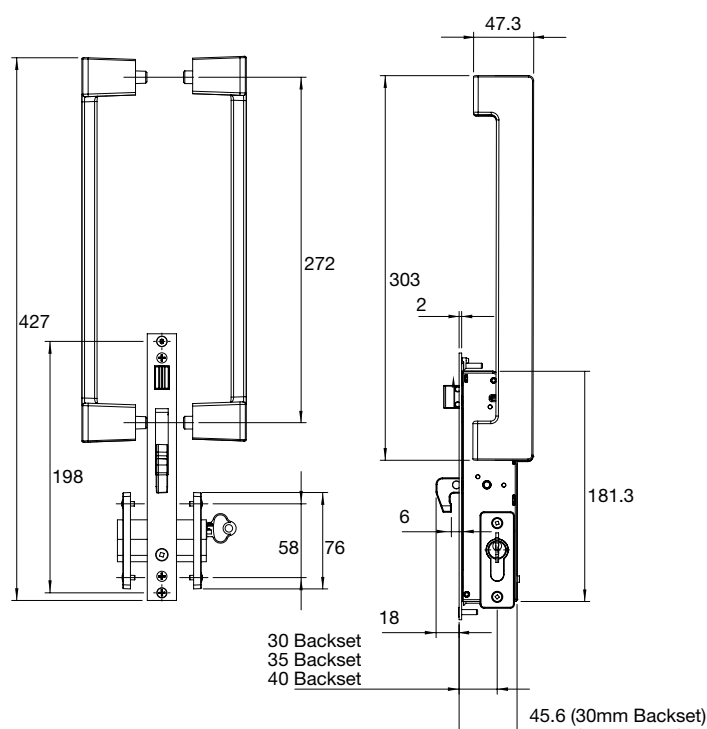
- Suitable for Residential, Architectural and Designer Thermal suites

### Features

- New Zealand designed and made
- Deadbolt locking
- Can be keyed alike with other Crest hardware in the home for one key convenience
- Anti-lift design
- Anti-slam mechanism protects accidental damage to hook bolt when door is closed
- Adjustable strike
- Stainless steel forend plate
- Robust design
- Built to withstand a 4kN force entry load and 100,000 latching cycles
- Compatible with a range of Euro Cylinders

### Options

- Double cylinder, cylinder and turnknob, half cylinder or half turnknob
- Available in a wide range of powdercoat colours and satin chrome



## Aria Endeavour Sliding Door Lock



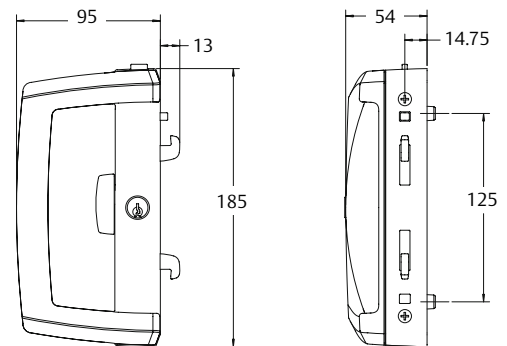
Suitable for use with aluminium, timber or uPVC horizontal sliding doors, the Aria Endeavour Surface Mounted Sliding Door Lock incorporates enhanced security and safety features. Styling cues are taken from the Aria design, enabling a consistent look throughout the home.

### Features

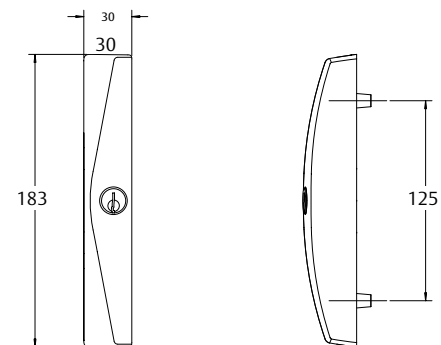
- Red deadlock indicator on internal handle activates when key deadlocked (deadlocking version only)
- Opposing anti-lift beaks for added security
- Anti-slam pin protects locking beaks from accidental damage
- Retrofittable - easily replaces most sliding door locks
- Non-handed lock chassis with intuitive downward snib motion to unlock
- Available with internal D handle or internal Pull
- Can be keyed alike to other ASSA ABLOY CYL4™ 5-Pin locks for one key convenience
- Achieves Australian Standards AS4145:2008 (Part 2) Security Level S4 and Durability Level D8
- New Zealand made

### Options

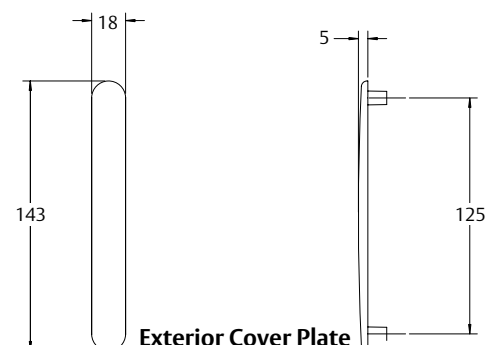
- Double cylinder deadlocking with Daylatch and deadlocking indicator
- Single cylinder locking with snib
- Trade pack range has additional locking options with D and Slim Pull handles, in a full range of powdercoat and plated finishes



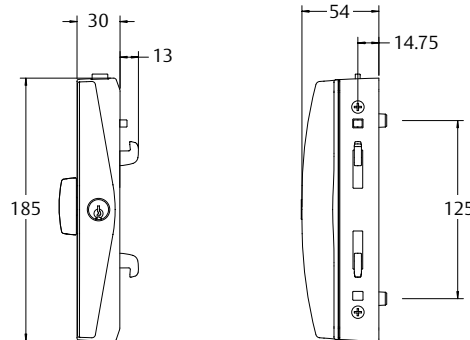
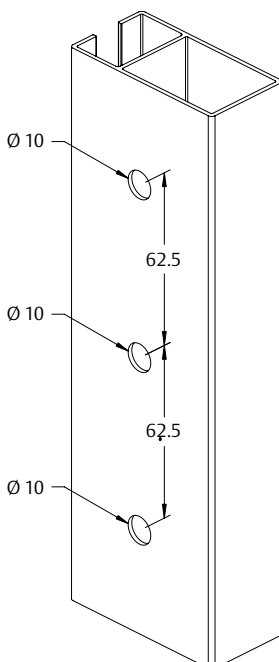
**Interior D-Handle**



**Exterior Pull**



**Exterior Cover Plate**



**Interior Pull**

## Albany Endeavour Sliding Door Lock



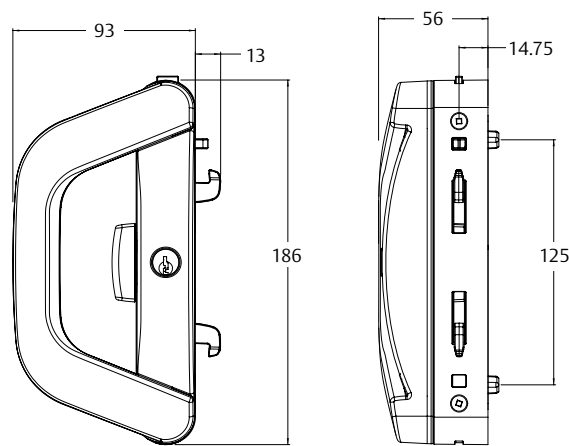
ASSA ABLOY have combined the iconic Albany furniture styling with the superior features of the Endeavour Surface Mounted Sliding Door Lockbody to create the Albany Endeavour. The Albany Endeavour offers improved functionality and performance, meeting Australasian standards in both security and durability. Easily retrofittable, and suitable for use with aluminium, timber or uPVC, the Albany Endeavour is the ideal choice for sliding door applications.

### Features

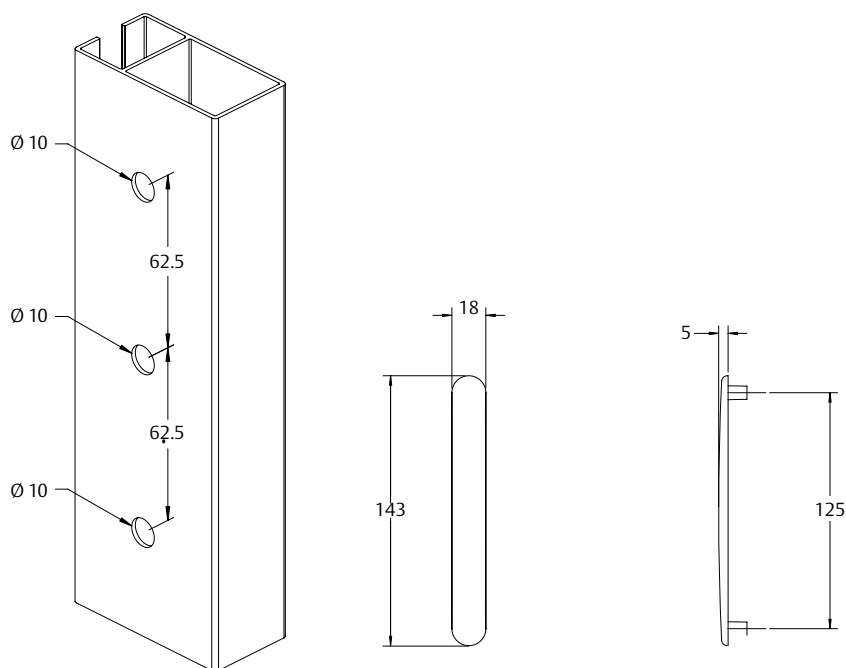
- Red deadlock indicator on internal handle activates when key deadlocked (deadlocking version only)
- Opposing anti-lift beaks for added security
- Anti-slam pin protects locking beaks from accidental damage
- Retrofittable - easily replaces most sliding door locks and aesthetically matches original Albany handle
- Non-handed lock chassis with intuitive downward snib motion to unlock
- Can be keyed alike to other ASSA ABLOY CYL4™ 5-Pin locks for one key convenience
- Achieves Australian Standards AS4145:2008 (Part 2) Security Level S4 and Durability Level D8
- New Zealand made

### Options

- Double cylinder deadlocking with Daylatch and deadlocking indicator
- Single cylinder locking with snib
- Trade pack range has additional locking options, in a full range of powdercoat and plated finishes



Interior D-Handle



Exterior Cover Plate

Exterior Pull



## Aria Endeavour SBML



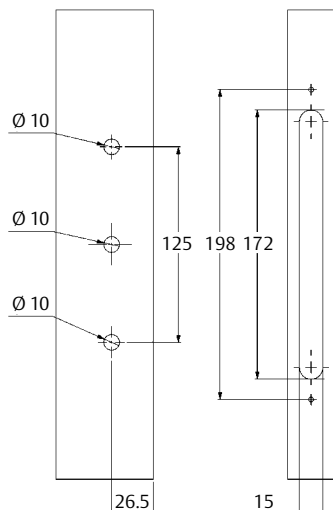
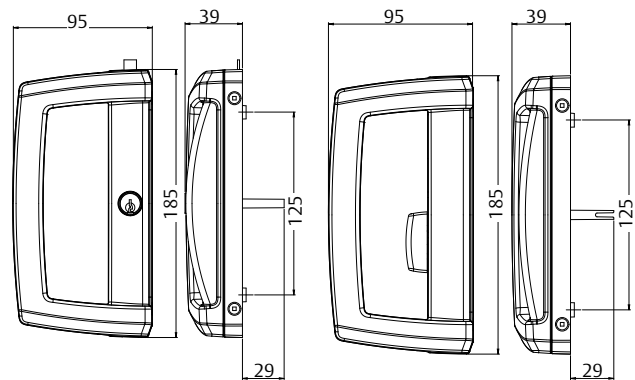
Combining the very popular Aria furniture styling with a concealed mortice style backset, the Endeavour Mortice lock offers the ultimate in residential sliding door hardware. The Endeavour mortice range is simple to operate, requires a single action to lock or unlock, and can be supplied in a wide range of finishes and keying options. Suitable for use with aluminium, timber or uPVC horizontal sliding doors and windows.

### Features

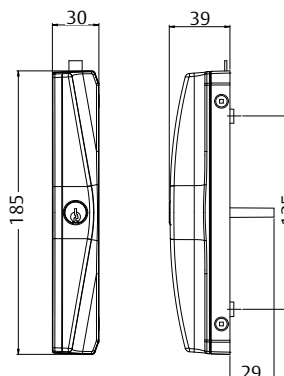
- Contemporary Aria styling combined with the concealed morticed lockset provides enhanced aesthetic styling and appearance
- One locking action activates two locking points
- Maximum door stile width 45mm
- Fully reversible for left or right-handed doors
- Anti-slam button prevents operation of the handle when the door is open, avoiding damage to the mechanism
- Opposing twin beaks prevent door being lifted from the track
- Unique red indicator on the deadlock shows when the door is locked
- Available in a full range of powdercoat and plated finishes
- Can be keyed alike to other Interlock supplied locks and a selection of security products as part of Interlock's "One Key" security programme
- Snib action always up to lock on left handed or right handed doors. Same action as Endeavour surface mounted locks

### Options

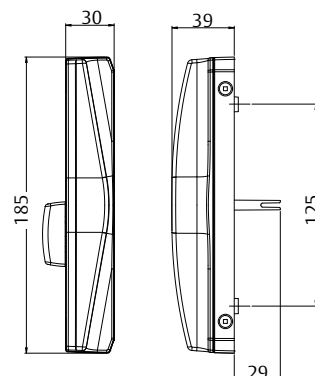
- Non-locking
- Locking
- Deadlocking
- Deadlocking inside only with Securiturn
- Dummy



**Double Cylinder**



**Snib & Cylinder**



## Albany Endeavour SBML



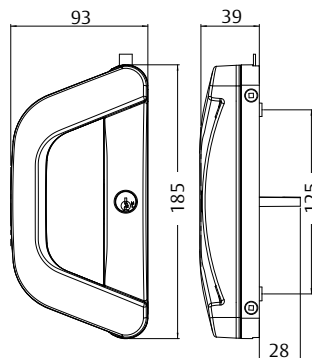
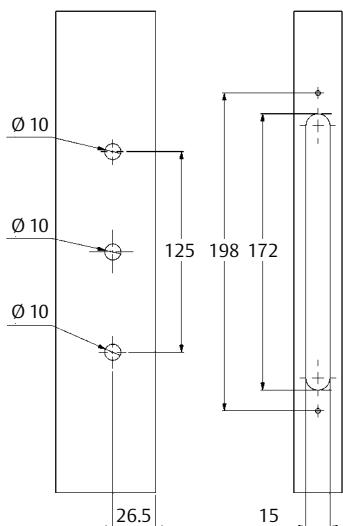
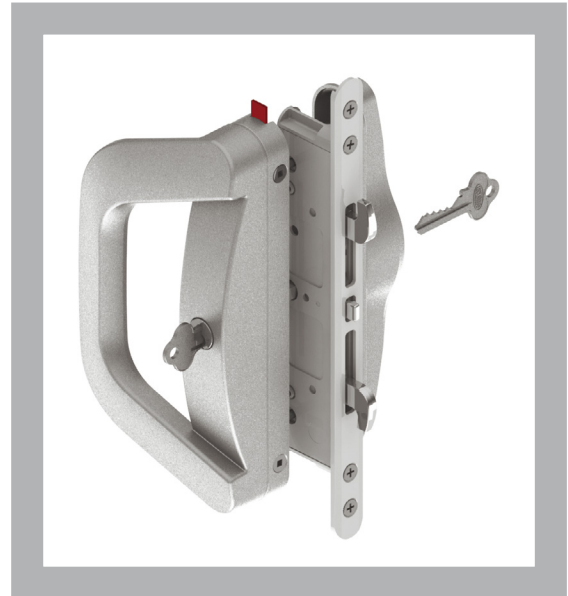
Combining the very popular Albany furniture styling with a concealed mortice style backset, the Albany Endeavour Mortice lock offers the ultimate in residential sliding door hardware. The Albany Endeavour mortice range is simple to operate, requires a single action to lock or unlock, and can be supplied in a wide range of finishes and keying options. Suitable for use with aluminium, timber or uPVC horizontal sliding doors and windows.

### Features

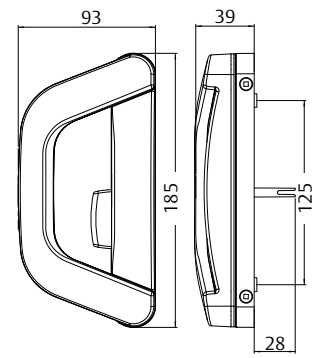
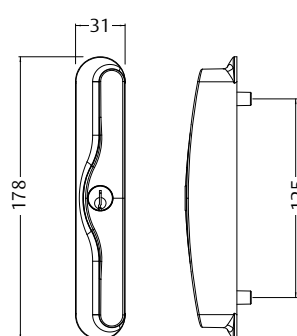
- Popular Albany styling combined with the concealed morticed lockset provides enhanced aesthetic styling and appearance
- One locking action activates two locking points
- Maximum door stile width 45mm
- Fully reversible for left or right-handed doors
- Anti-slam button prevents operation of the handle when the door is open, avoiding damage to the mechanism
- Opposing twin beaks prevent door being lifted from the track
- Unique red indicator on the deadlock shows when the door is locked
- Available in a full range of powdercoat and plated finishes
- Can be keyed alike to other ASSA ABLOY supplied locks and a selection of security products as part of the "One Key" security programme
- Non handed consistent snib movement

### Options

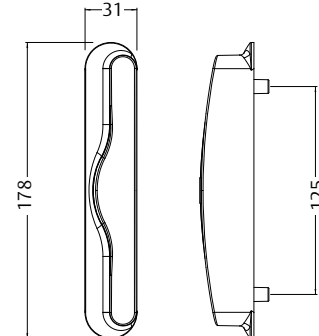
- Non-locking
- Locking
- Deadlocking
- Deadlocking inside only with Securiturn
- Dummy



**Double Cylinder**



**Snib & Cylinder**



## Albany SBML 2-Point



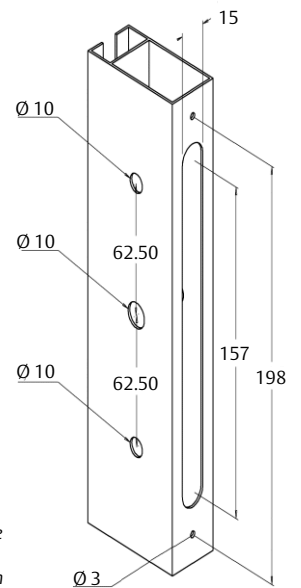
Combining the very popular Albany furniture styling with a concealed mortice style lockset, the Albany Mortice range of locks offers the ultimate in residential sliding door hardware. The Albany Mortice range is simple to operate and incorporates a one-action lock or unlock mode. It is supplied in a wide range of finishes and keying options. Suitable for use with aluminium, timber or uPVC horizontal sliding doors and windows.

### Features

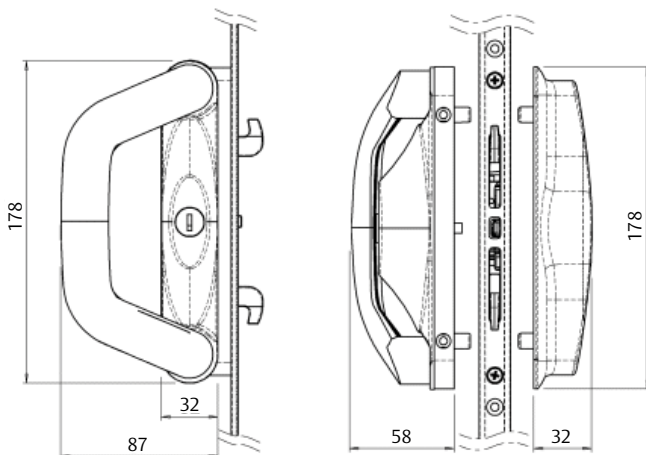
- Contemporary styling combined with the concealed morticed lockset provides enhanced aesthetics
- 2-point locking activated from one action
- Fully reversible for left or right-handed doors
- Anti-slam button prevents operation of the handle when the door is open, avoiding damage to the mechanism
- Opposing twin beaks prevent door being lifted from the track
- Unique red indicator on the deadlock shows when the door is unlocked
- Can be keyed alike to other ASSA ABLOY CYL4™ locks for one key convenience
- New Zealand made

### Options

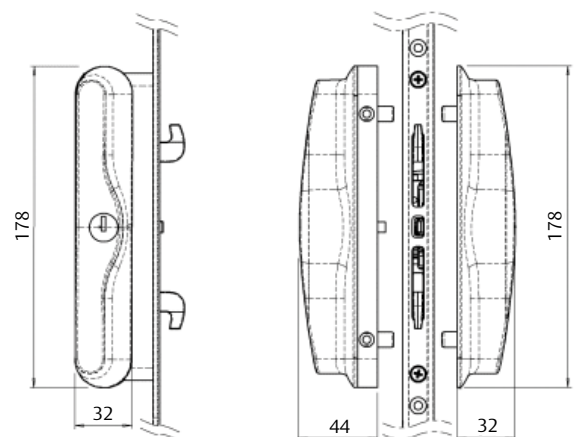
- Double cylinder deadlocking with Daylatch
- Single cylinder locking with snib
- Additional locking options available
- Available in a wide range of powdercoat colours and satin chrome finish



**Note:** Non-standard screws are required for door stile widths in excess of 56mm



**Albany Grip - Standard External Pull**



**Standard External Pull Inside and Out**

## Impact Doorstops

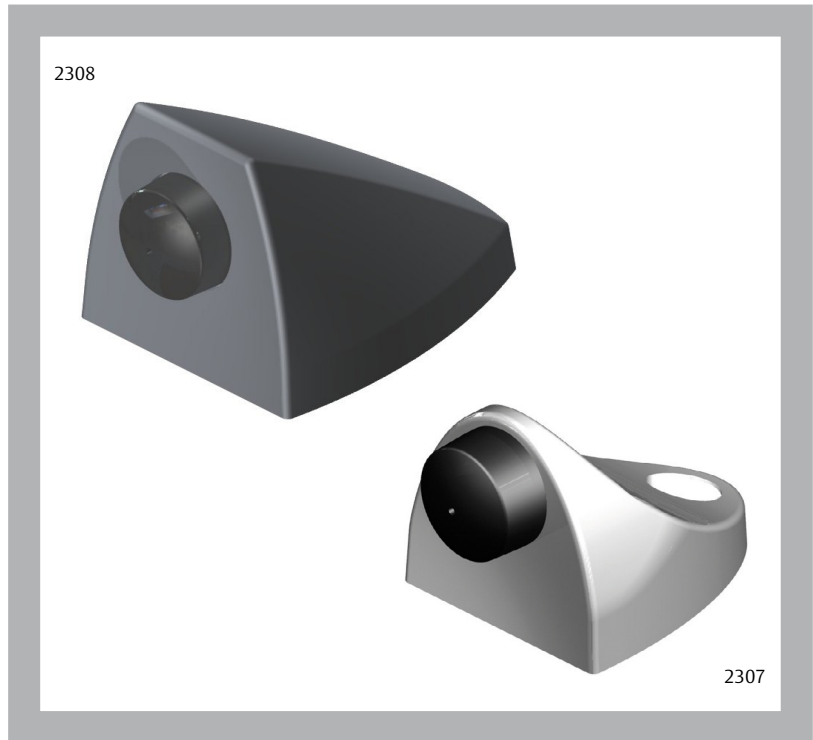
The Impact doorstop is designed to cushion the high impact of sliding doors and windows. With a secure and durable design, the Impact doorstop will prevent collision damage.

### Features

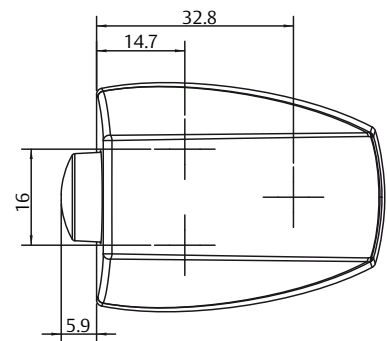
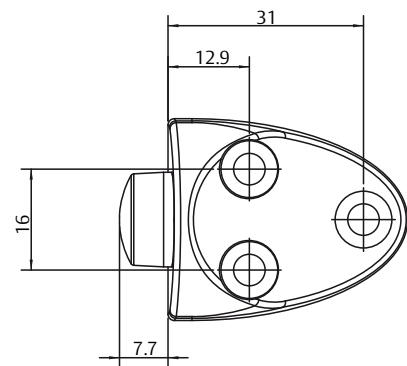
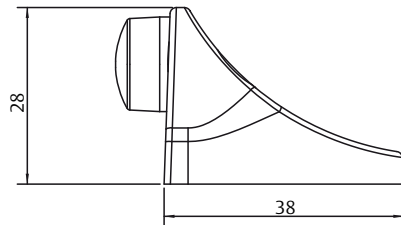
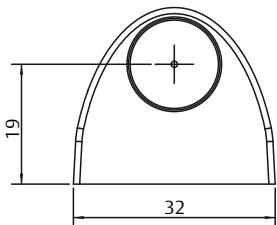
- Manufactured from high quality materials to provide an effective long-life doorstop
- 3 screw fixing points
- New Zealand made

### Options

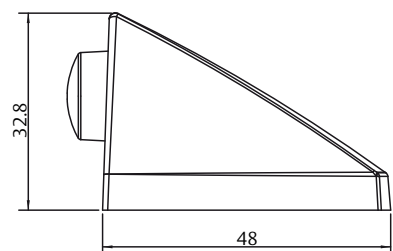
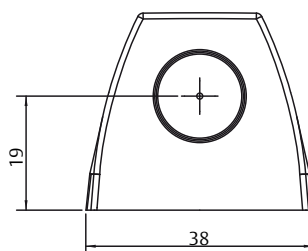
- A full range of powdercoat options are available for the uncovered and covered versions



**2307**



**2308**



## IRDL Electronic Roller Door Lock

The Interlock Electronic Roller Door Lock is a low voltage, high torque motorised bolt suited for securing large rolling, tilting, hinged or sliding doors.

Supplied with a matching strike, the IRDL is to be installed internally and has a tamper proof design. A solid 18mm diameter stainless steel bolt pin ensures the highest strength and with a bolt pin stroke of 35mm offers flexible installation.

Integrated electronics allow complete control and monitoring of the lock.

### Features

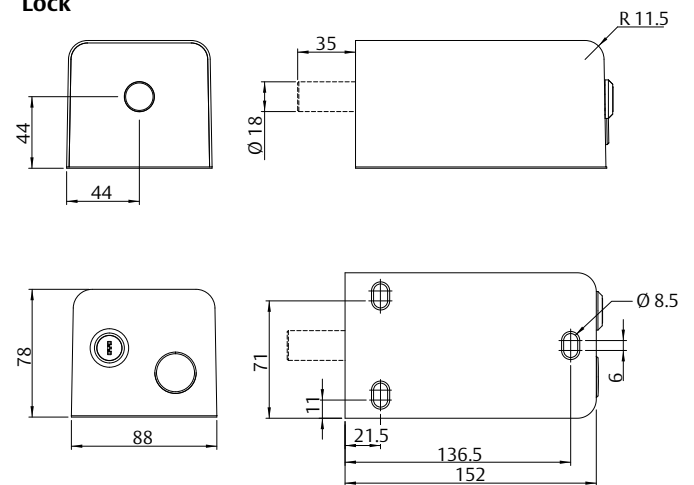
- Multi-voltage input (12-24VDC)
- Multiple locking attempts with fail alarm
- Selectable automatic locking upon door closure
- Selectable Fail Safe/Fail Secure
- Bolt position sensors
- Concealed wiring through the base or via a 20mm wiring gland (not supplied)
- Key secured cover
- Floor or wall mounting
- Designed and assembled in New Zealand

### Applications

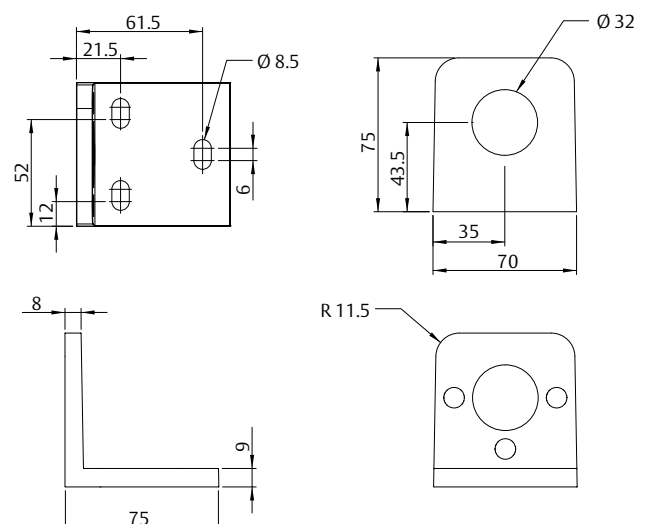
- Roller doors
- Tilt doors
- Sliding doors
- Hinged doors



### Lock



### Strike



### IRDL Technical Information

<b>Bolt Pin</b>	Stainless Steel Ø18mm x 35mm stroke
<b>Lock</b>	Die Cast Aluminium, 152mm x 88mm x 78mm
<b>Strike</b>	Die Cast Aluminium, 75mm x 75mm x 70mm
<b>Holding Force</b>	15,000N (1500kg)
<b>Power Supply</b>	12 - 24VDC ± 15%
<b>Current Usage</b>	<b>Standby</b> <15mA @ 12V, <15mA @ 24V <b>Operation</b> <300mA @ 12V, <200mA @ 24V <b>Stall</b> <2A @ 12V, <1A @ 24V
<b>Batteries</b>	4 x AA 1.5VDC Alkaline
<b>Monitor Switches</b>	<b>Bolt Position</b> 60VDC, 0.2A <b>Door Position</b> 100VDC, 0.5A
<b>Locking Mode</b>	PTL & PTO (Fail Safe & Fail Secure)

## IEGL Electronic Gate Lock

The Interlock Electronic Gate Lock is a low voltage, high torque motorised bolt suited for securing vehicle and pedestrian gates.

With its IP 65 rating, the IEGL can be installed externally or internally and has a tamper proof design. A solid 18mm diameter stainless steel bolt ensures the highest strength with a stroke of 35mm offers flexible installation.

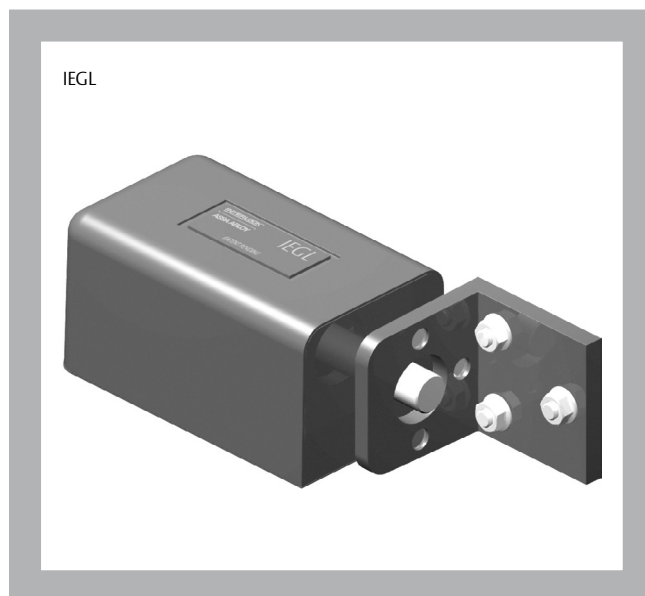
Integrated electronics allow complete control and monitoring of the lock.

### Features

- Multi-voltage input (12-24VDC)
- Multiple locking attempts with fail alarm
- Selectable automatic locking upon gate closure
- Selectable Fail Safe/Fail Secure
- Bolt position sensors
- Concealed wiring through the base or via a 20mm wiring gland (not supplied)
- Key secured cover
- Floor or wall mounting
- IP Rating - IP65
- Designed and assembled in New Zealand

### Applications

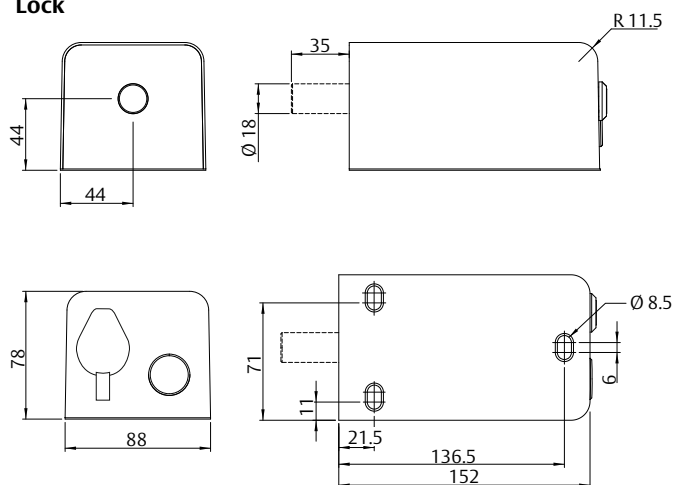
- Sliding gates
- Sliding doors
- Hinged gates
- Hinged doors
- Roller doors
- Barrier arms
- Tilt doors



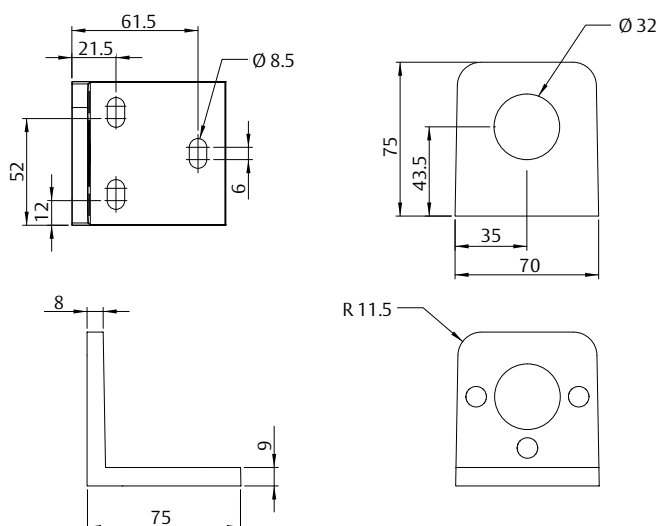
### IEGL Technical Information

<b>Bolt Pin</b>	Stainless Steel Ø18mm x 35mm stroke
<b>Lock</b>	Die Cast Aluminium, 152mm x 88mm x 78mm
<b>Strike</b>	Die Cast Aluminium, 75mm x 75mm x 70mm
<b>Holding Force</b>	30,000N (3000kg)
<b>Power Supply</b>	12 - 24VDC ± 15%
<b>Current Usage</b>	<b>Standby</b> <15mA @ 12V, <15mA @ 24V <b>Operation</b> <300mA @ 12V, <200mA @ 24V <b>Stall</b> <2A @ 12V, <1A @ 24V
<b>Batteries</b>	4 x AA 1.5VDC Alkaline
<b>Monitor Switches</b>	<b>Bolt Position</b> 60VDC, 0.2A <b>Door Position</b> 100VDC, 0.5A
<b>Locking Mode</b>	PTL & PTO (Fail Safe & Fail Secure)
<b>IP Rating</b>	IP65

### Lock



### Strike





# SECTION E

## Hinged Door Hardware

Crest Locksets	E2 - E3
Optimum Locksets	E4 - E8
Lever Compression Lock	E9
Twin Bolt French Door Lockset	E10
Handle Sets	E11 - E12
Cylinders	E13 - 14
Securitem	E15
Key in Knob Sets	E16 - 19
Mechanical Bolts	E20 - E23
Door Stops	E24

## Crest 4-Point Mortice Lock



Inspired by the beauty of the New Zealand environment, the Crest Hinged Door Handle offers a stylish and contemporary look while combining superior functionality.

The Crest range of furniture provides a cohesive appearance to the hardware on all doors and windows in the home.

### Application

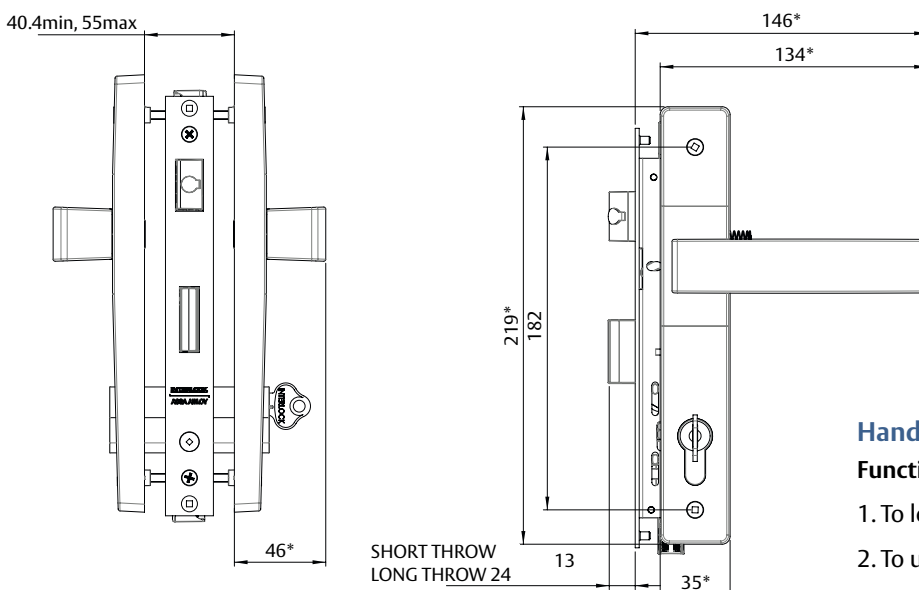
- Suitable for Residential, Architectural and Designer Thermal suites

### Features

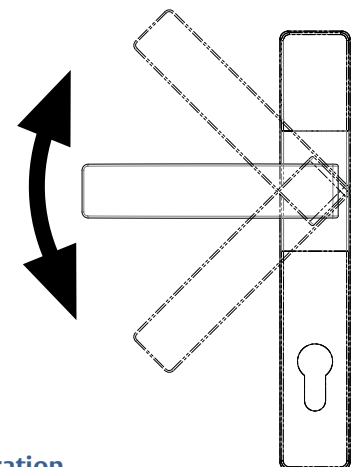
- New Zealand designed and made
- Four points of locking
- Sequencing of locking points can be in any order (can be locked with or without shootbolts thrown)
- Can be keyed alike with other Crest hardware in the home for one key convenience
- When used with the correct strike the lock generates optimum seal compression to provide improved water and air seal performance, especially for large panel doors
- The handing of the lockset is adjusted by reversing the orientation of the latch bolt
- Standard kits are supplied with furniture and keyed cylinder
- Achieves Australian Standards AS4145: 1993 (Part 2) Security Level S2 and Durability Level D2

### Options

- Double cylinder, cylinder and turnknob, half cylinder or half turnknob
- Available in a wide range of powdercoat colours and satin chrome



\* Dimensions shown are specific to Crest lever. Other styles may vary.



### Handle Operation

#### Function

1. To lock - turn key towards edge of door
2. To unlock - turn key away from edge of door
3. To throw shootbolts - lift handle up and release lever (either when locked or unlocked)
4. To retract shootbolts, ensure lock is unlocked. Push lever down and release



## Crest 2-Point Mortise Lock



Inspired by the beauty of the New Zealand environment, the Crest Hinged Door Handle offers a stylish and contemporary look while combining superior functionality.

The Crest range of furniture provides a cohesive appearance to the hardware on all doors and windows in the home.

### Application

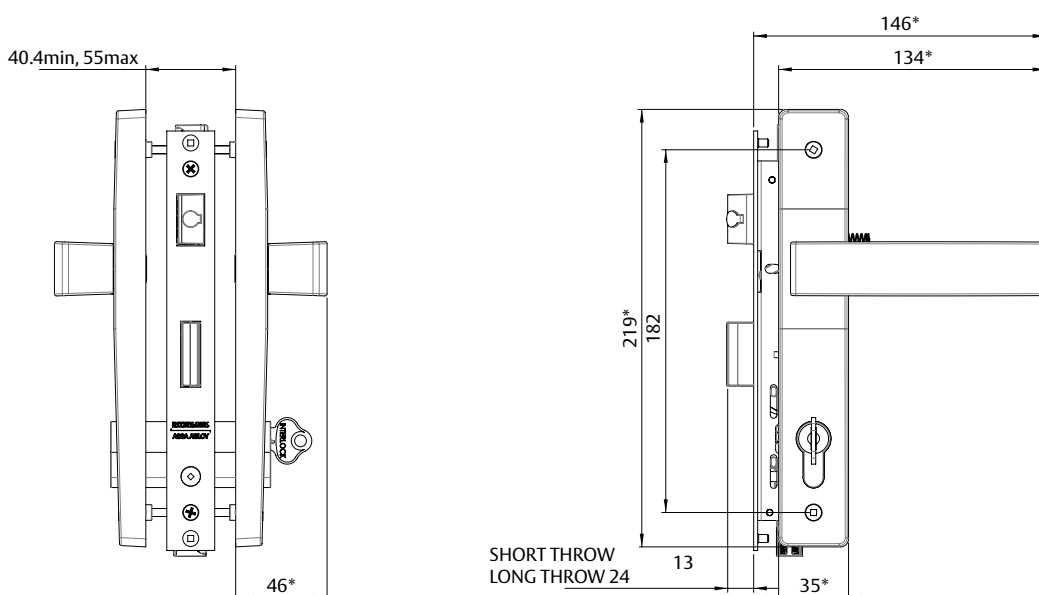
- Suitable for Residential, Architectural and Designer Thermal suites

### Features

- New Zealand designed and made
- Two points of locking
- Sequencing of locking points can be in any order (can be locked with or without shootbolts thrown)
- Can be keyed alike with other Crest hardware in the home for one key convenience
- When used with the correct strike the lock generates optimum seal compression to provide improved water and air seal performance, especially for large panel doors
- The handing of the lockset is adjusted by reversing the orientation of the latch bolt
- Standard kits are supplied with furniture and keyed cylinder
- Achieves Australian Standards AS4145: 1993 (Part 2) Security Level S2 and Durability Level D2

### Options

- Double cylinder, cylinder and turnknob, half cylinder or half turnknob
- Available in a wide range of powdercoat colours and satin chrome



\* Dimensions shown are specific to Crest lever. Other styles may vary.

## Optimum 4-Point Mortice Lock



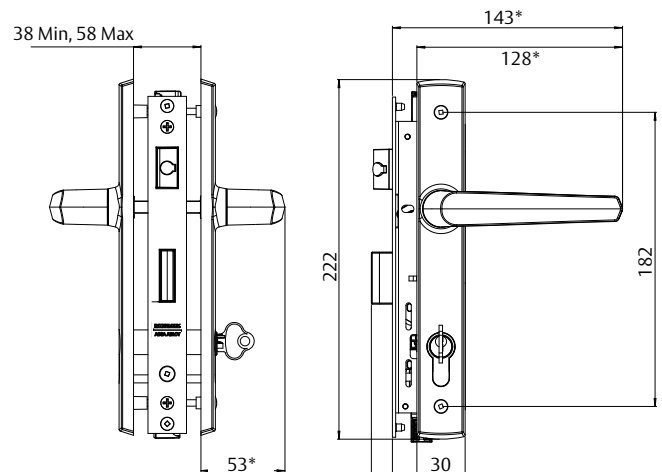
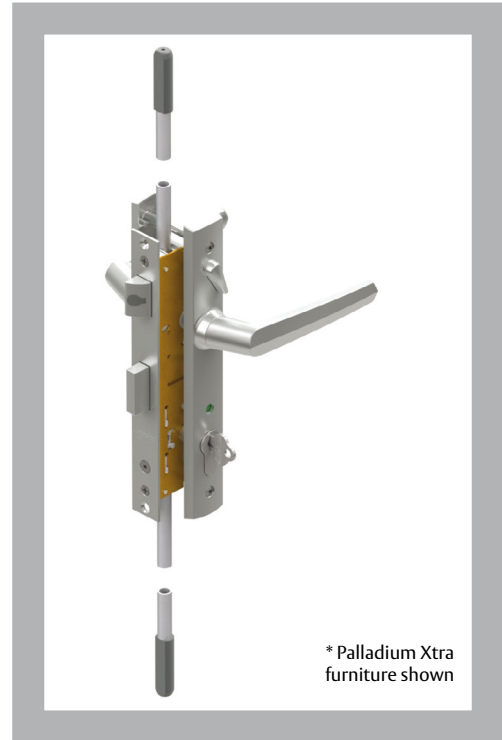
The Optimum Mortice Lock offers a new and improved locking system with enhanced furniture options available. When deadlocked, the Optimum 4-Point provides increased security with up to four points of locking. The shootbolt provides added security and seal compression, designed specifically for the New Zealand environment. See reverse for handle operation.

### Features

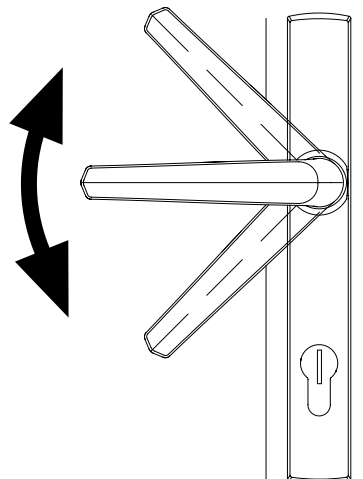
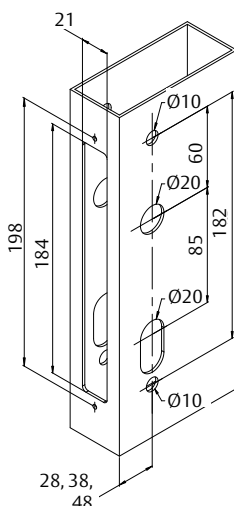
- Upgraded furniture option (Palladium Xtra) features LockAlert indicator which shows at a glance if the door has been deadlocked
- Upgraded furniture also comes with safety snib for at home security, enabling easy exit if required
- Features four points of locking including the latch, deadbolt and shootbolts
- Sequencing of locking points can be in any order (can be locked with or without shootbolts thrown)
- When used with the correct strike the lock generates optimum seal compression to provide improved water and air seal performance, especially for large panel doors
- The handing of the lockset is adjusted by reversing the orientation of the latch bolt
- Standard kits are supplied with furniture and keyed cylinder
- Can be keyed alike to other ASSA ABLOY CYL4™ 5-Pin locks for one key convenience
- Achieves Australian Standards AS4145: 2008 (Part 2) Security Level S6 and Durability Level D7
- New Zealand made

### Options

- Available with 30mm, 40mm or 50mm backset
- Short Throw 4-Point
- Long Throw 4-Point
- Available with standard Verona and Palladium furniture or upgrade to Palladium Xtra with LockAlert and safety snib
- Double cylinder, cylinder and turnknob, half cylinder or half turnknob



*\* Dimensions shown are specific to Aria lever. Other styles may vary.*



### Handle Operation

#### Function

1. To lock - turn key towards edge of door
2. To unlock - turn key away from edge of door
3. To throw shootbolts - lift handle up and release lever (either when locked or unlocked)
4. To retract shootbolts, ensure lock is unlocked. Push lever down and release

## Optimum 2-Point Mortice Lock



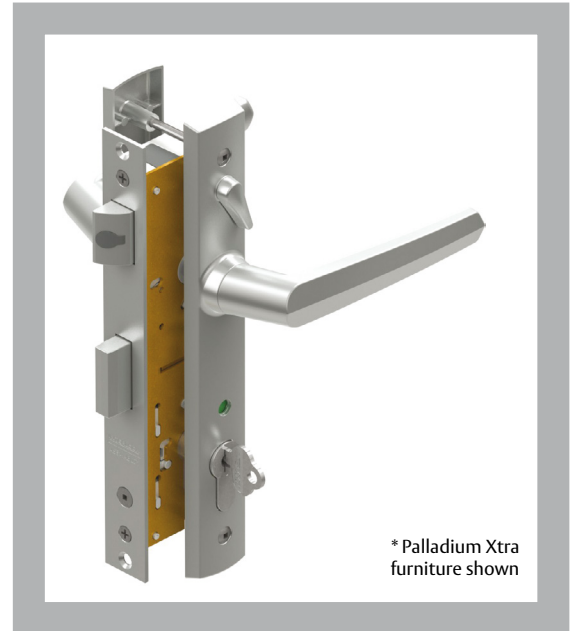
The Optimum Mortice Lock offers a new and improved locking system with enhanced furniture options available. When deadlocked, the Optimum 2-Point provides increased security with two points of locking. Made specifically for the New Zealand environment, this is an ideal locking solution.

### Features

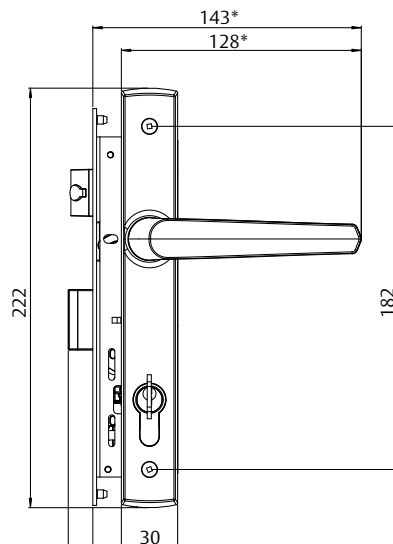
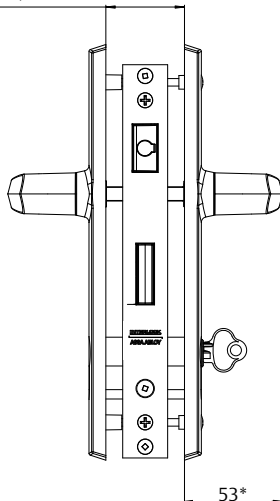
- Upgraded furniture option (Palladium Xtra) features LockAlert indicator which shows at a glance if the door has been deadlocked
- Upgraded furniture also comes with safety snib for at home security, enabling easy exit if required
- Features 2 points of locking including the latch and deadbolt
- The handing of the lockset is adjusted by reversing the orientation of the latch bolt
- Standard kits are supplied with furniture and keyed cylinder
- Can be keyed alike to other ASSA ABLOY CYL4™ 5-Pin locks for one key convenience
- Stainless steel forend plate
- Adjustable latch projection
- Achieves Australian Standards AS4145: 2008 (Part 2) Security Level S6 and Durability Level D7
- New Zealand made

### Options

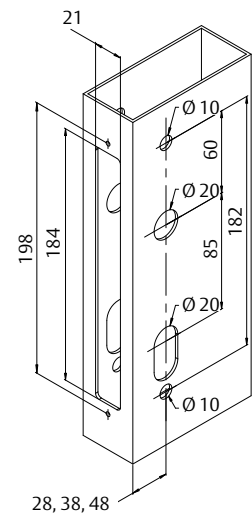
- Available with 30mm, 40mm or 50mm backset
- Short Throw 2-Point
- Long Throw 2-Point
- Available with standard Verona and Palladium furniture or upgrade to Palladium Xtra with LockAlert and safety snib
- Double cylinder, cylinder and turnknob, half cylinder or half turnknob



38 Min, 58 Max



Short Throw 12  
Long Throw 24



\*Dimensions shown are specific to Aria lever. Other styles may vary.

## Optimum 4-Point Mortice Lock - Apex Mini-Lever Set



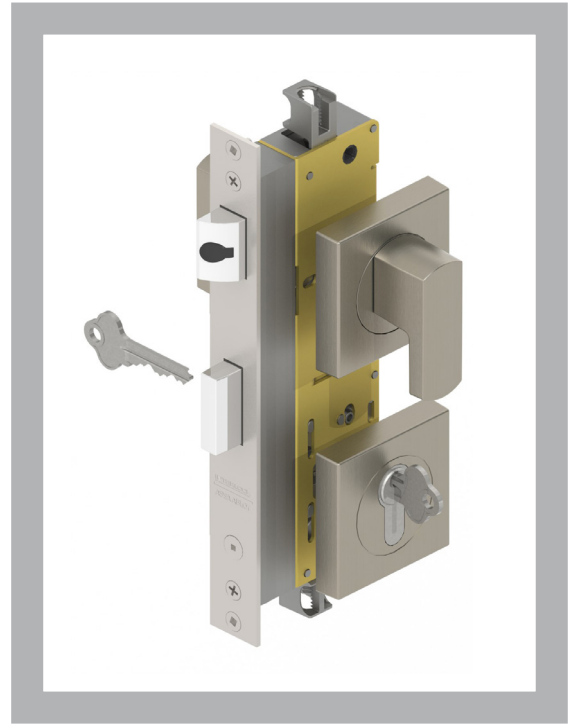
There is now a solution for those wanting to offer a multipoint locking system on entrance doors – the Apex Mini-Lever. The Apex Mini-Lever provides enough leverage to throw vertical rods, improving seal compression and security. It has been designed to be discreet, yet complementary to large pull handles. The Apex Mini-Lever is available in brushed nickel finish to match stainless steel hardware, and is kitted with the Optimum 4-Point, 50mm backset lock.

### Features

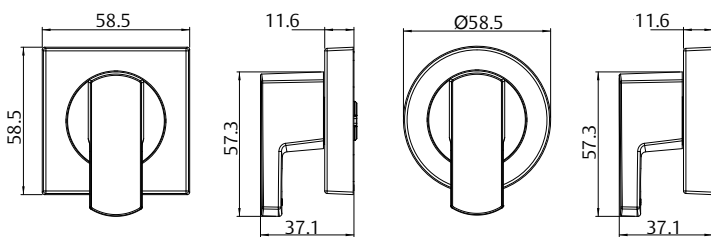
- Sleek, minimalist design
- Independently sprung lever
- Mini lever engages locking rods in head and sill for added security and weathertightness
- Smooth and easy operation of the lock
- Kits are supplied with Standard Euro Cylinder
- Can be keyed alike to other ASSA ABLOY CYL4™ profile locks for one key convenience
- Stainless Steel lock forend plate

### Options

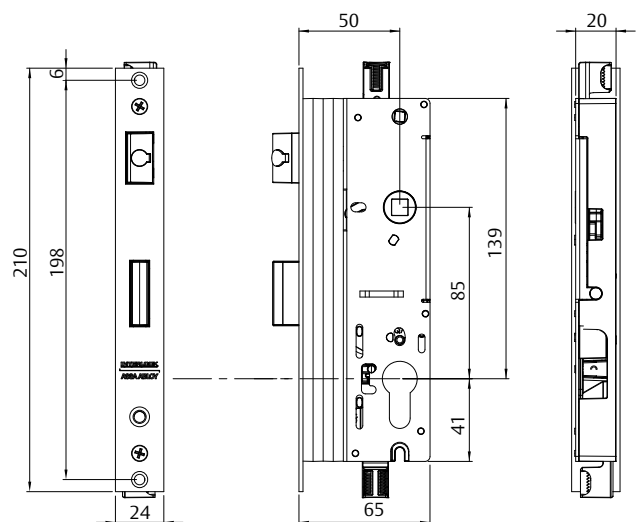
- Available with square or round escutcheons
- Double cylinder or cylinder and turnknob options available



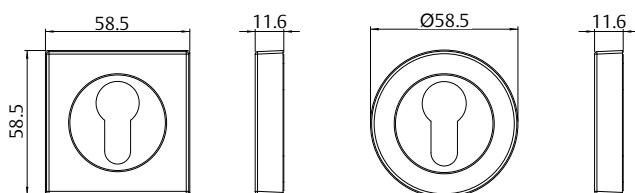
Apex Lever



50mm Backset Optimum 4 Point



Apex Cylinder Escutcheon



## Optimum 1-Point Mortice Lock



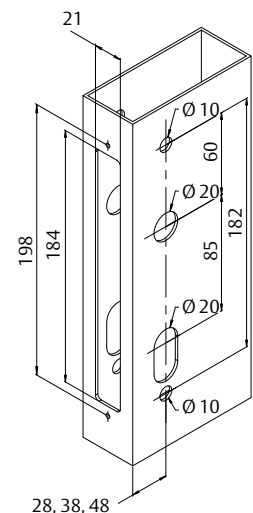
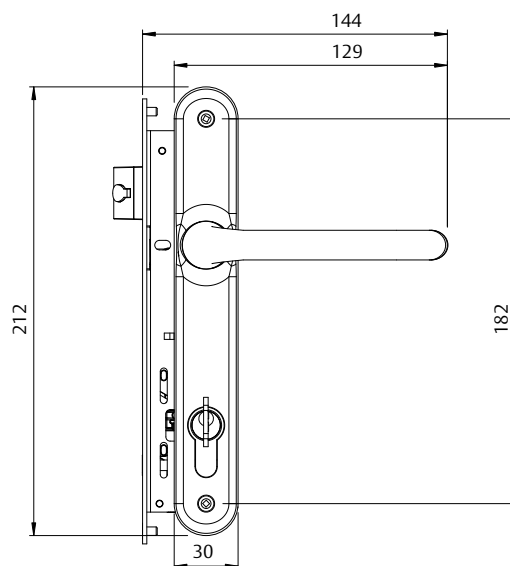
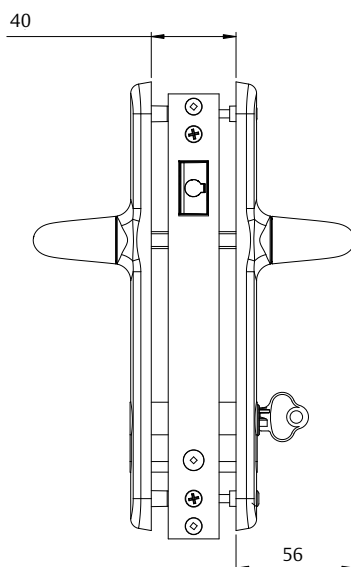
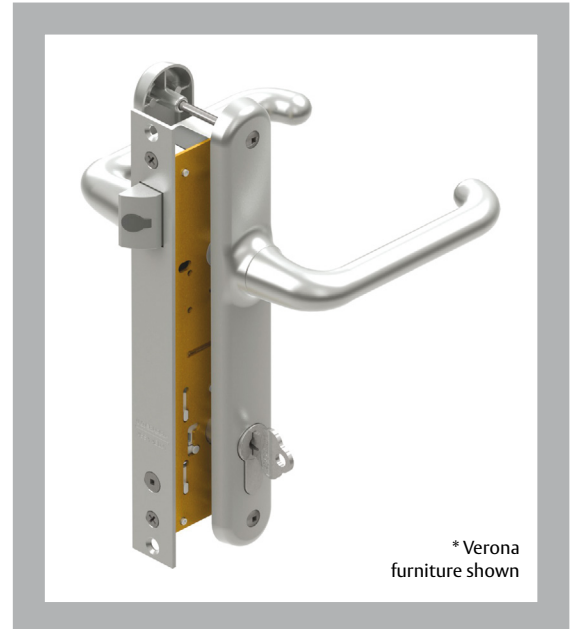
The Optimum Mortice Lock range offers a new and improved locking system. The Optimum 1-Point provides basic security suitable for residential applications.

### Features

- The handing of the lockset is easily adjusted by reversing the orientation of the latch bolt
- Standard kits are supplied with furniture and keyed cylinder
- Can be keyed alike to other ASSA ABLOY CYL4™ 5-Pin locks for one key convenience
- Adjustable latch projection
- Stainless steel forend plate
- Achieves Australian Standards AS4145: 2008 (Part 2) Security Level S4 and Durability Level D7
- New Zealand made

### Options

- Available with 30mm backset
- Available with standard Verona furniture
- Double cylinder, cylinder and turnknob, half cylinder or half turnknob



## Optimum Roller Ball Lock



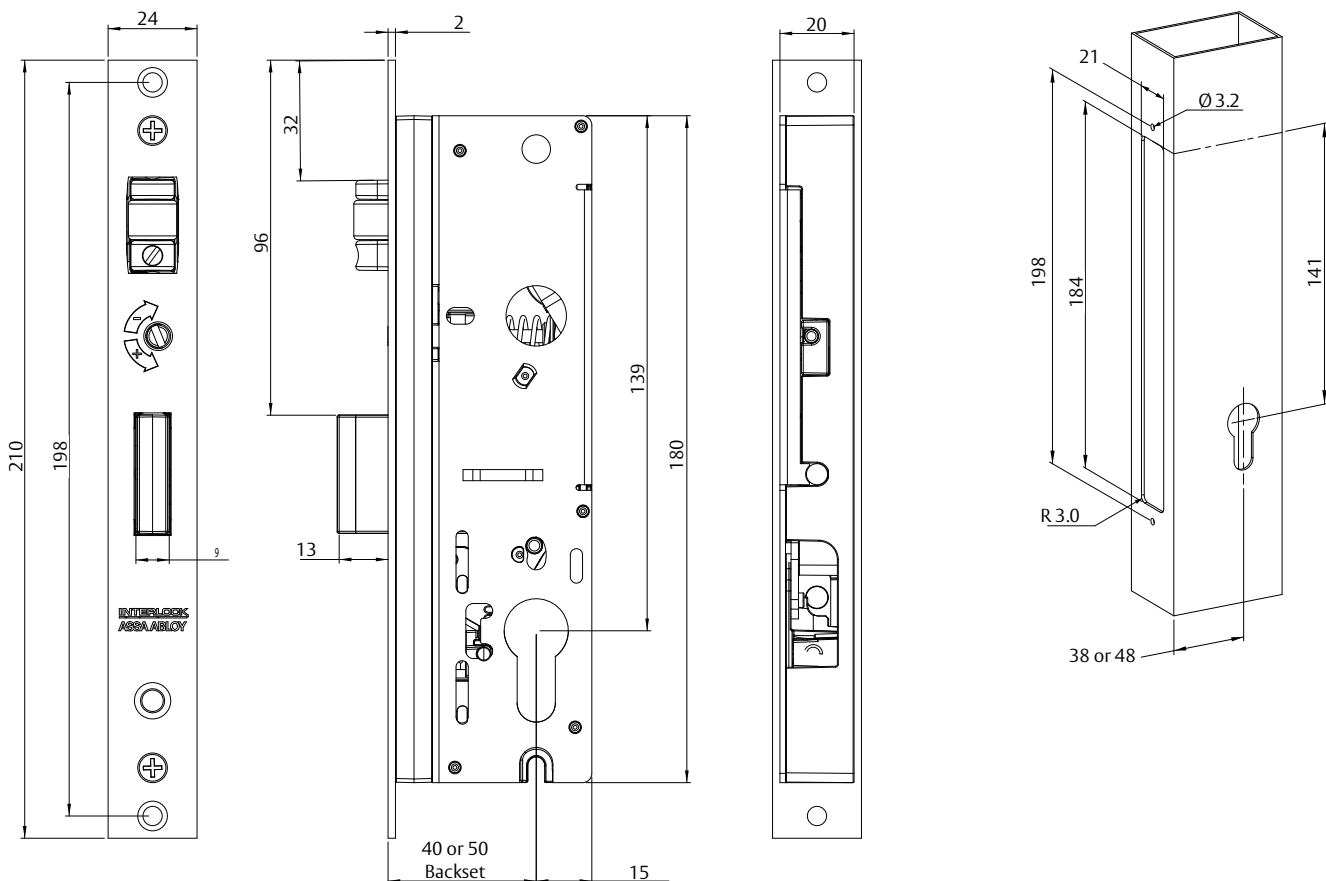
The Optimum Roller Ball Lock is designed to provide a roller ball locking option that suits a wide range of door sizes and applications. The design allows for optimal latch adjustment and positive latching, to suit most user needs.

### Features

- Can be keyed alike to other ASSA ABLOY CYL4™ locks for one key convenience
- Adjustable latch projectioner
- Adjustable latching strength
- Stainless steel forend plate
- New Zealand made

### Options

- Available in 40mm and 50mm backsets
- Double cylinder, cylinder and turnknob, half cylinder or half turnknob
- Strike options to suit timber & aluminium doors
- Available as lock only or as part of a pull handle kit



## Lever Compression Lock 4-Point



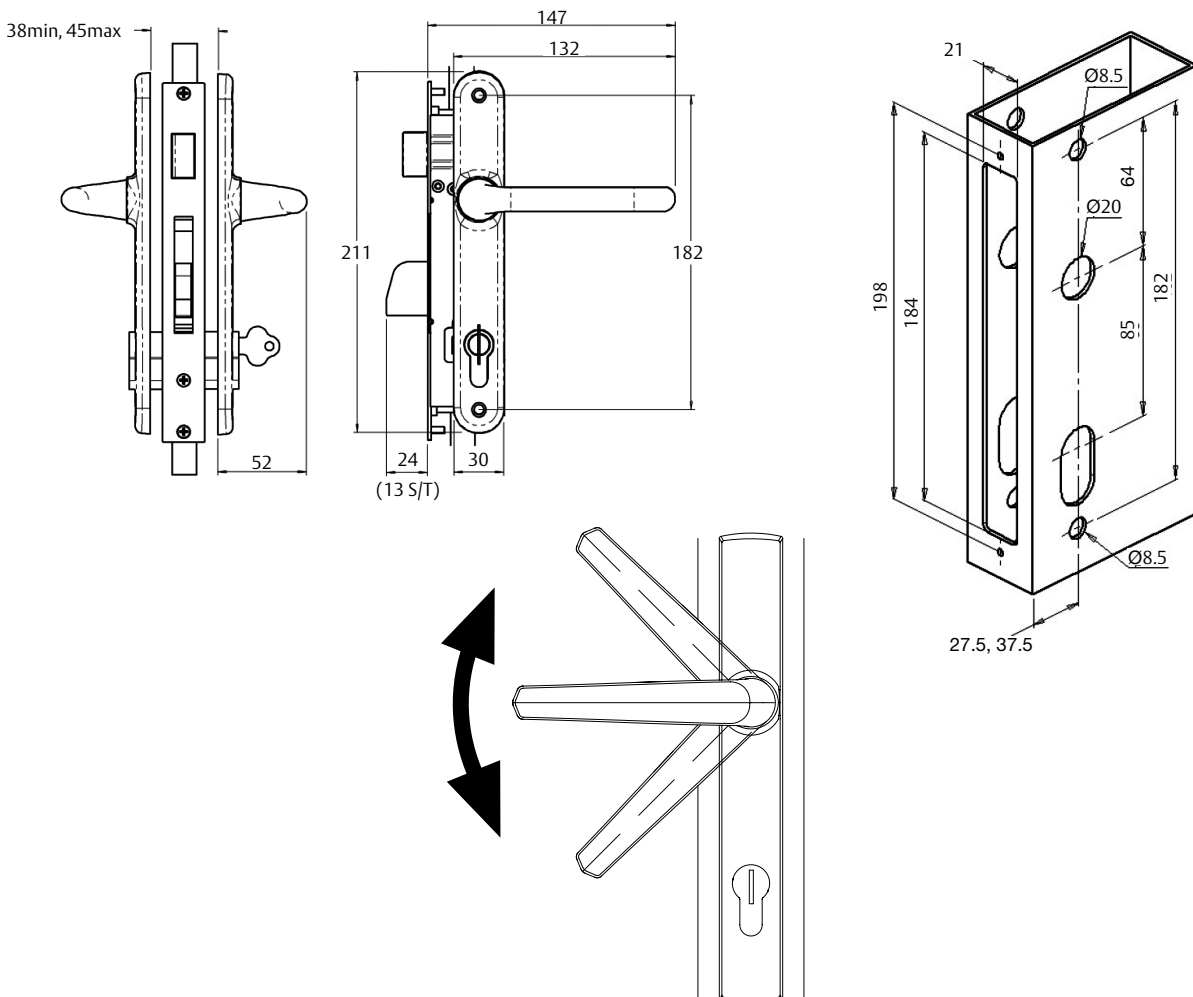
The Lever Compression Lock is a mortised, multipoint swing door lock, available in a 30mm or 40mm backset. The lift bolt and rods are driven off the latch actuating handle. This feature generates the compression required to provide the necessary water and air seal for large panels. Deadlocking is provided by a conventional key cylinder.

### Features

- Upward motion of the handle activates deadbolt, shoot bolts and remote mechanisms
- Unique deadbolt design increases seal compression upon activation
- Generates superior air and water performance
- Up to four locking points
- Handing easily changed with removable latch bolt
- Multiple handle styles available

### Options

- 30mm backset with diecast zinc faceplate available in 13mm or 24mm bolt lengths
- 40mm backset with stainless steel faceplate available in 13mm bolt length



## Twin Bolt French Door Lockset



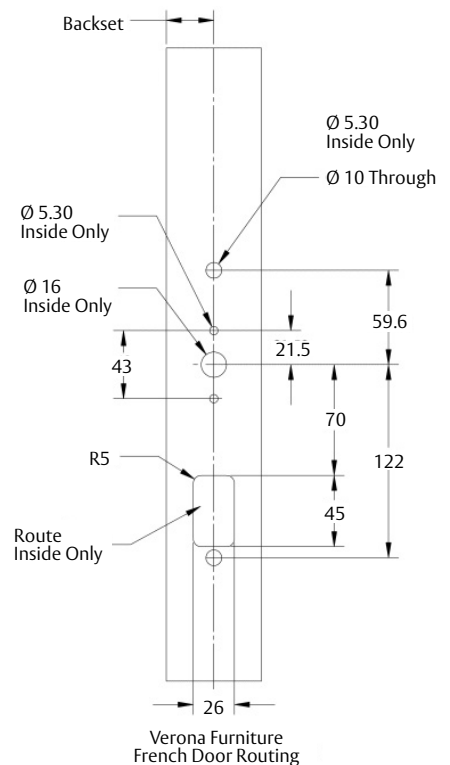
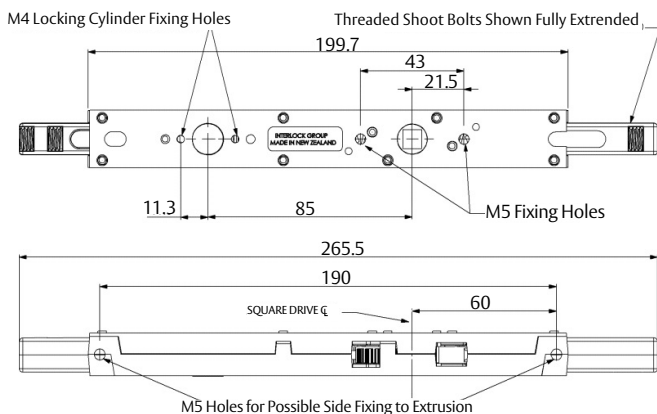
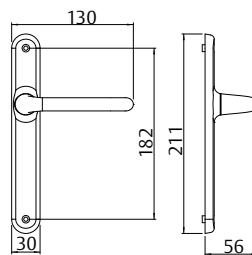
The Twin Bolt lock body has been designed for use on the passive leaf of a french door. The Twin Bolt combines security features with a practical design, fulfilling the needs created by architectural innovations within the residential and light commercial market. Suitable for use with aluminium or timber doors.

### Features

- Standard rod length 1 x 1m + 1 x 1.3m.
- Provides two points of security with throw rods top and bottom (13mm throw)
- Practical, easy installation
- Zinc die-cast construction
- Standard moulded plastic packers and fixing screws provided
- Threaded rod connection provides easy adjustment
- Handle turning angle of 90°
- Twin Bolt lock body features internal locking only, with a C4 compatible cylinder
- The Twin Bolt - French Door option is available as a complete kit which includes the lock body, lock rods, handle set, aluminium suite screws, packers and drive bar
- Can be keyed alike to other ASSA ABLOY CYL4™ locks for one key convenience
- New Zealand made

### Options

- Can be used with a Palladium or a Verona handle for french door applications
- Both handles available in a wide range of powdercoat colours and satin chrome finish
- Multipoint rod extension kit available
- Composite suite packer and screw pack also available





## Palladium Door Handle Sets

The Palladium series is offered in eight lever styles. The handles have been created specifically for external doors with a long plate design which complements aluminium joinery. By having a range of levers, also available on other escutcheons within ASSA ABLOY's product range, customers can achieve a consistent look throughout the home by matching their internal and external door hardware.

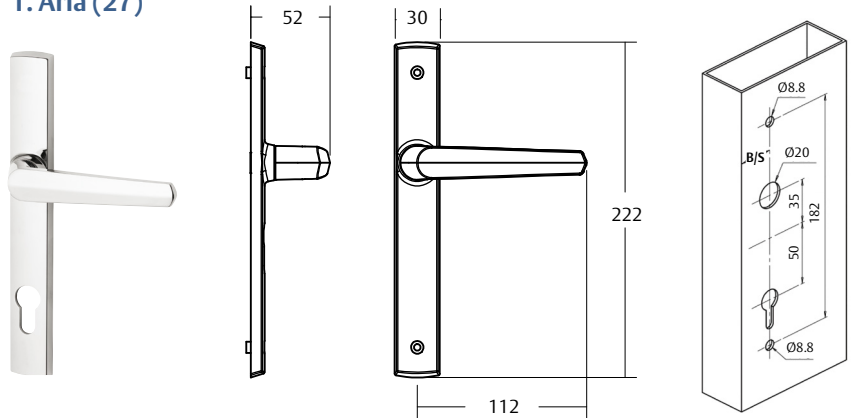
### Features

- Can be used with Optimum and Twin Bolt locksets plus Pinnacle Bi-fold and Pinnacle French Door locksets
- New springing detail improves feel and performance
- Non-handed
- Strong zinc die-cast construction
- Fixing details identical to Verona handles, ideal for replacement situations
- New Zealand made

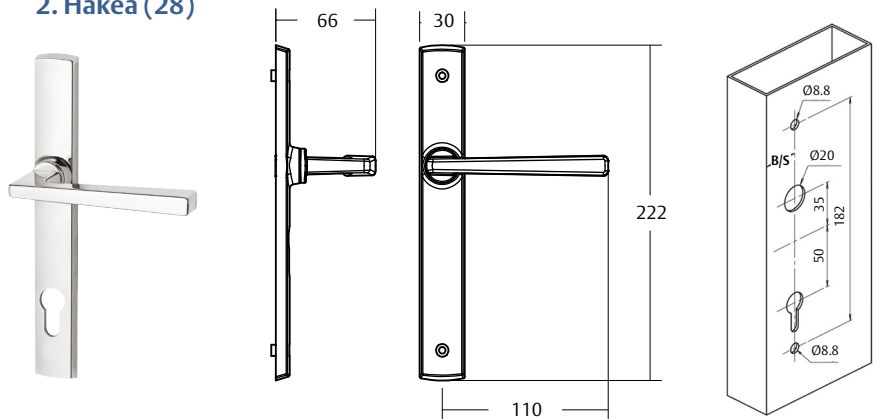
### Options

- Locking
- Non-locking
- Fixed (dummy)
- Available in a wide range of powdercoat colours and satin chrome finish

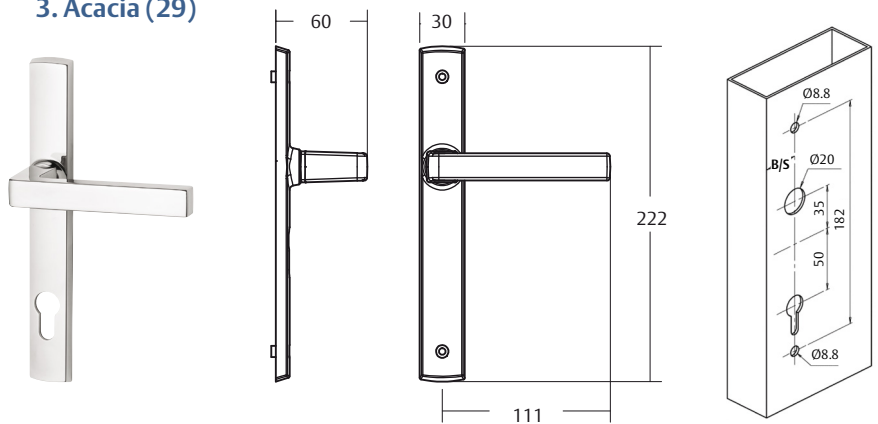
1. Aria (27)



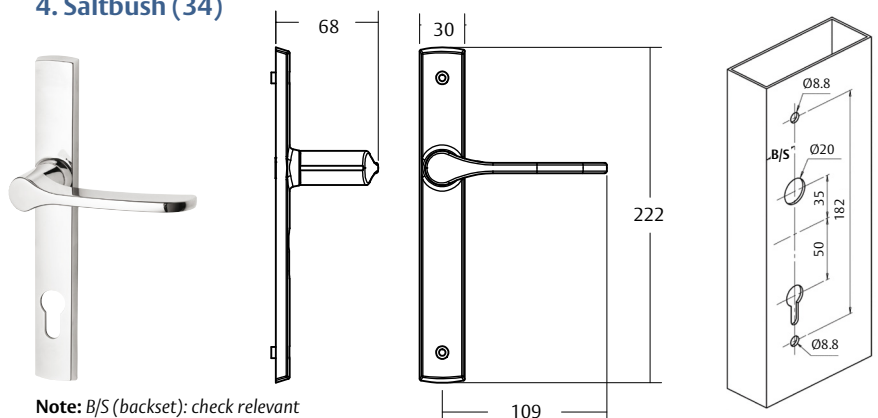
2. Hakea (28)



3. Acacia (29)



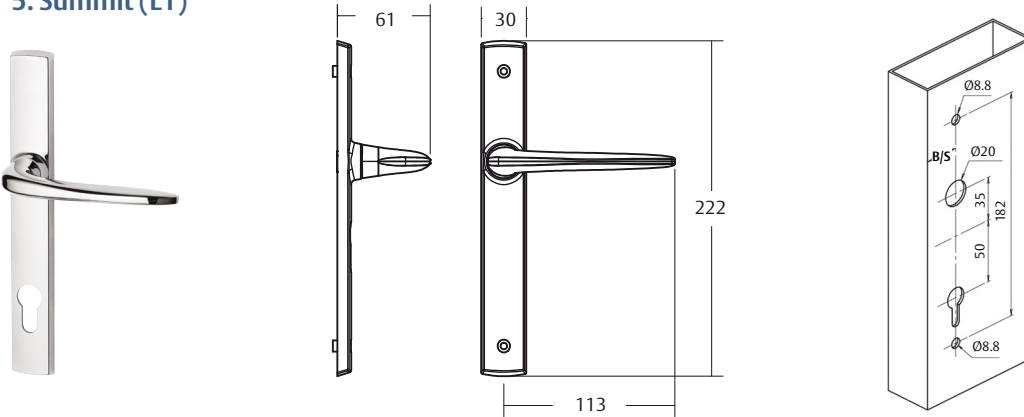
4. Saltbush (34)



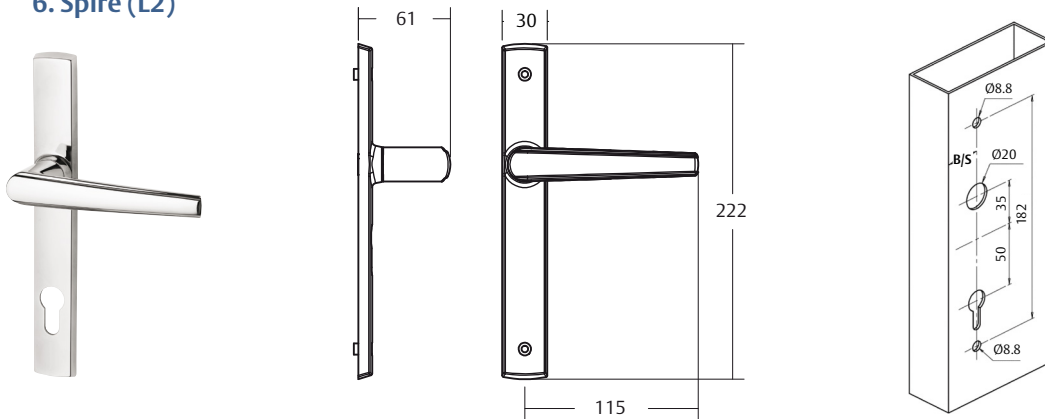
Note: B/S (backset): check relevant lock details for this dimensions

## Palladium Door Handle Sets

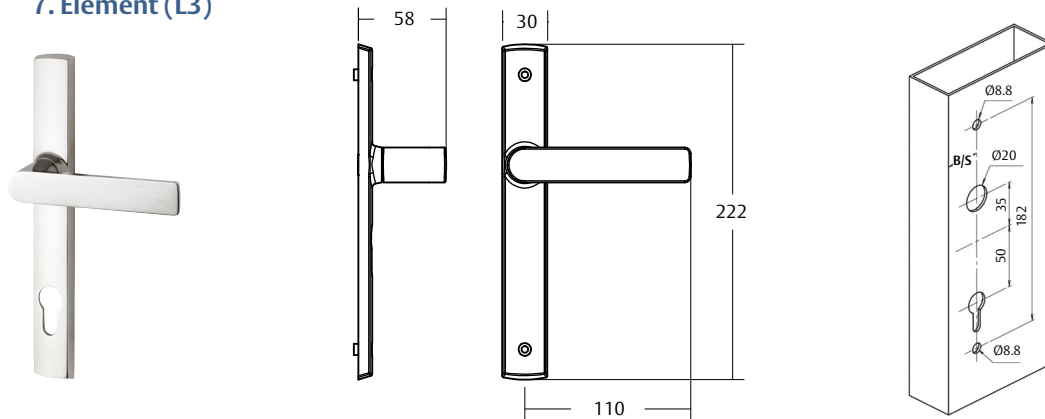
### 5. Summit (L1)



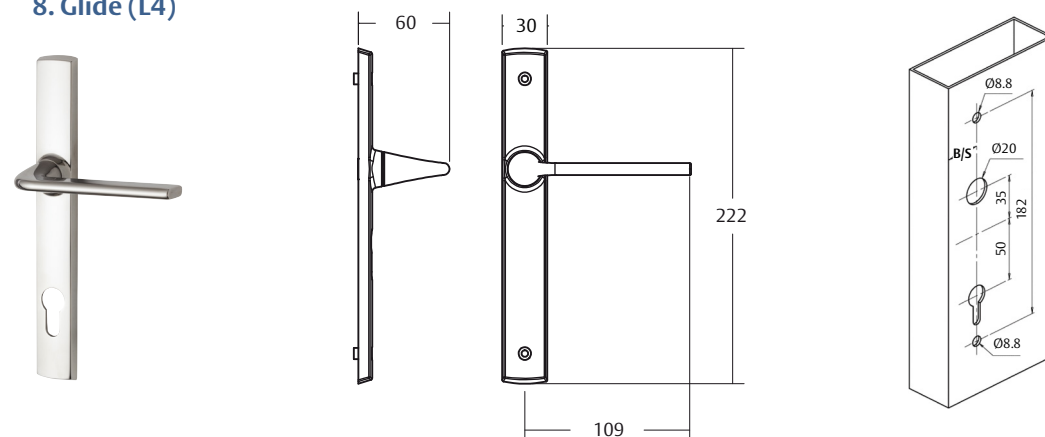
### 6. Spire (L2)



### 7. Element (L3)



### 8. Glide (L4)



**Note:** B/S (backset): check relevant lock details for this dimensions

## Euro Cylinders

ASSA ABLOY offers a complete range of quality cylinders. There are a number of cylinder types available, each offering a range of functional and security-oriented features.

### Features

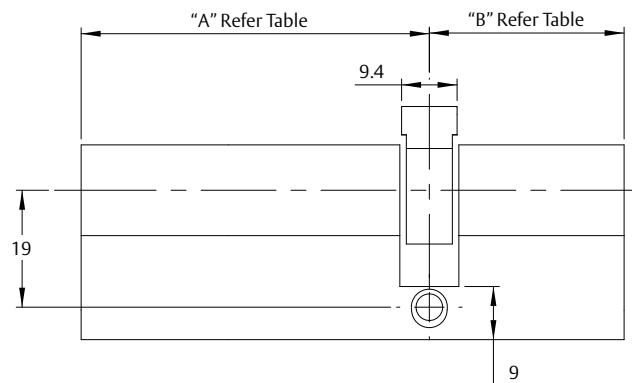
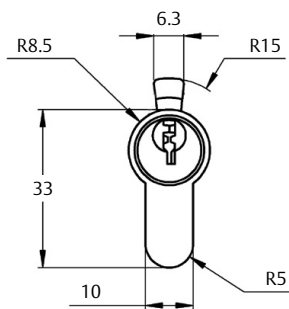
- Can be keyed alike to other ASSA ABLOY CYL4™ cylinders for one key convenience
- Construction key and master key systems are available upon request
- The Oval, Euro, Rim, and Key N Knob series are C4 compatible and available in 5 or 6-pin options
- Euro Cylinder Note: P3000E Emergency type double cylinder assemblies are MC35 Securiturn™ compatible

### Key Compatible Cylinder Types

- C4 Pin Cylinder
  - P3000 Euro Cylinder Series
  - MC570 Oval Cylinder Series
  - MC17 Rim Cylinder Series
  - MC2600 Key N Knob Cylinder Series
  - 180250 Albany Sliding Door Cylinder
- C4 Wafer Cylinder
  - CYL4 Wafer Cylinder



### E Type Cylinder

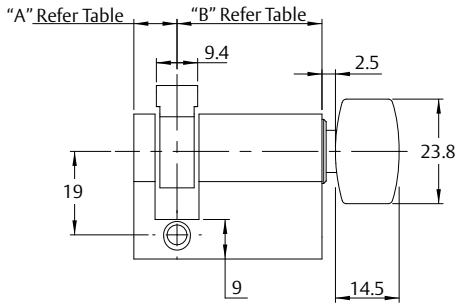


### EURO 'E' TYPE DOUBLE CYLINDER

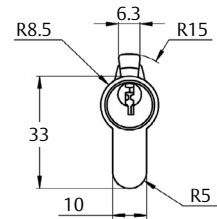
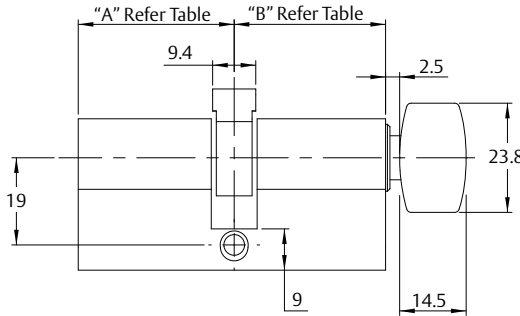
PART NUMBER	NO. OF PINS	A	B	FINISH	COMMENTS/DESCRIPTIONS
P33016E	5	62	32	S/CHROME	5 PIN C4 WITH 5 PIN TRAP CUT MC35
P33022E	5	31	31	S/CHROME	5 PIN C4 WITH 5 PIN TRAP CUT MC35
P33040E	5	40	40	S/CHROME	5 PIN C4 WITH 5 PIN TRAP CUT MC35
P33235E	5	38	38	S/CHROME	5 PIN C4 WITH 5 PIN TRAP CUT MC35
P33260E	5	33	48	S/CHROME	5 PIN C4 WITH 5 PIN TRAP CUT MC35
P33274E	5/3	51	21	S/CHROME	5 PIN C4 WITH 3 PIN V CUT MC35
P33275E	3	21	21	S/CHROME	5 PIN C4 WITH 3 PIN V CUT MC35
P33276E	5	34	34	S/CHROME	5 PIN C4 WITH 3 PIN V CUT MC35
P33280E	3	24	24	S/CHROME	5 PIN C4 WITH 3 PIN V CUT MC35

## Euro Cylinders

### Half Cylinder



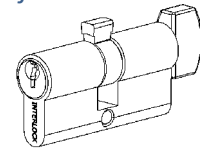
### Full Cylinder



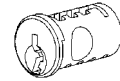
### EURO CYLINDERS – FIXED CAM

PART NUMBER	NO. OF PINS	A	B	FINISH	COMMENTS / DESCRIPTION
P33021	5	45	45	S/CHROME	EXTENDED DOUBLE KEYED TO J001
P33230	5	10	47.5	POL BRASS	HALF CYLINDER TURN KNOB
P33231	5	10	47.5	S/CHROME	HALF CYLINDER TURN KNOB
P33032	5	31	31	POL BRASS	KEY & TURN KNOB
P33033	5	31	31	POL BRASS	DOUBLE KEYED
P33034	5	31	31	S/CHROME	KEY & TURN KNOB
P33035	5	31	31	S/CHROME	DOUBLE KEY
P33045	5	10	31	S/CHROME	HALF CYLINDER KEYED
P33046	6	35	35	S/CHROME	DOUBLE KEYED WITH GRUB SCREW TOP PIN CLOSURE
P33047	6	35	35	S/CHROME	KEY & TURN KNOB WITH GRUB SCREW TOP PIN CLOSURE
P33048	5	10	31	POL BRASS	HALF CYLINDER KEYED
P33260	5	32.5	47.5	S/CHROME	OFFSET CYLINDER DOUBLE KEY
P33261	5	32.5	47.5	S/CHROME	OFFSET CYLINDER KEY & TURN KNOB
P33262	5	32.5	47.5	POL BRASS	OFFSET CYLINDER DOUBLE KEY
P33263	5	32.5	47.5	POL BRASS	OFFSET CYLINDER KEY & TURN KNOB
P33264	5	10	47.5	S/CHROME	HALF CYLINDER KEYED
P33265	5	10	47.5	POL BRASS	HALF CYLINDER KEYED
P33277	5	34	34	S/CHROME	5 PIN C4
P33278	5	10	34	S/CHROME	HALF CYLINDER TURN KNOB
P33279	5	10	34	S/CHROME	HALF CYLINDER 5 PIN C4
P33066	4	10	25.5	S/CHROME	HALF CYLINDER KEYED TO J81-J90
P33067	4	10	25.5	POL BRASS	HALF CYLINDER KEYED
P33071	6	35	35	POL BRASS	KEY & TURN KNOB
P33072	6	35	35	POL BRASS	DOUBLE KEYED
P33092	5	10	31	S/CHROME	HALF CYLINDER TURN KNOB
P33093	5	10	31	POL BRASS	HALF CYLINDER TURN KNOB
P33245	5	10	37.5	S/CHROME	HALF CYLINDER KEYED
P33292	5	10	37.5	S/CHROME	HALF CYLINDER TURN KNOB
P33235	5	37.5	37.5	S/CHROME	EXTENDED DOUBLE KEYED
P33234	5	37.5	37.5	S/CHROME	EXTENDED KEY & TURN KNOB
P33233	5	37.5	37.5	POL BRASS	EXTENDED DOUBLE KEYED
P33232	5	37.5	37.5	POL BRASS	EXTENDED KEY & TURN KNOB
P33231	5	32.5	47.5	S/CHROME	OFFSET TURN KNOB
P33230	5	32.5	47.5	POL BRASS	OFFSET TURN KNOB
P33017	5	62	32	S/CHROME	OFFSET CYLINDER TURN KNOB
P33041	5	40	40	S/CHROME	EXTENDED CYLINDER KEY & TURN KNOB
P33042	5	10	40	S/CHROME	HALF CYLINDER KEYED
P33043	5	10	40	S/CHROME	HALF CYLINDER TURN KNOB

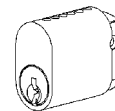
### Key Compatible Cylinders



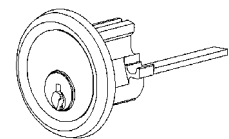
P3000 Series



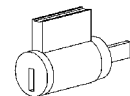
CYL 4



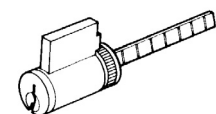
MC570 Series



MC17 Series



MC2600 Series



180250

### EURO CYLINDERS – FLOATING/LAZY CAM

PART NUMBER	NO. OF PINS	A	B	FINISH	COMMENTS / DESCRIPTION
P33119	5	37.5	37.5	S/CHROME	EXTENDED DOUBLE KEYED WITH 143° LOST MOTION CAM
P33097	5	31	31	S/CHROME	DOUBLE KEYED WITH 143° LOST MOTION CAM

## Securiturn Thumbturn

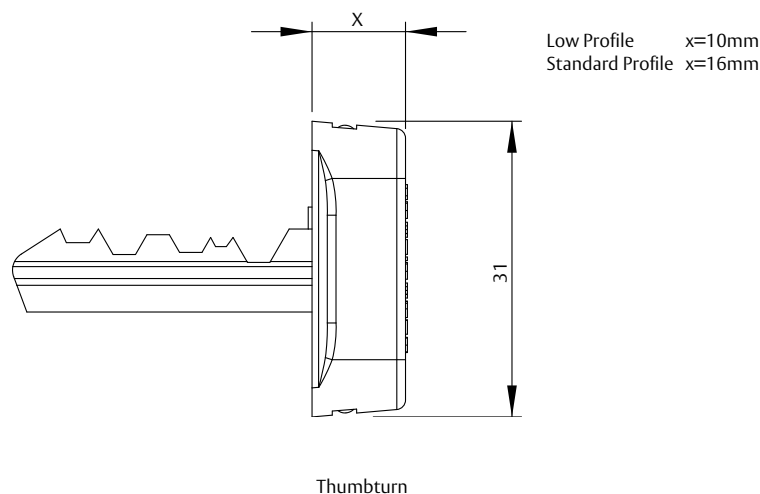
The Securiturn™ is a convenient, safe and secure removable thumbturn for double cylinder locks, which can be easily removed when the building is secured, using a release key. The innovative design allows new and existing double cylinders to have the everyday convenience of the thumbturn which can be removed when the premises are unoccupied.

### Features

- Easy to operate
- Simple but effective security
- Incorporates safety when utilising double cylinder locks
- Thumbturn with 'Red Safe Plug' conforms to NZ Building Act "Means of Escape" clause 7.2.2
- Precision design and quality construction
- Euro Cylinder Note: A feature of Securiturn™ when used in Euro Cylinders is that key access from outside will be prevented by turning Securiturn™ from the correct vertical position. Consequently, do not leave Securiturn™ in the inside cylinder of the main access door as key entry could be prevented
- New Zealand made

### Options

- Provided complete with release key
- 5 pin and 6 pin cylinders
- Plated finishes include: polished brass and satin chrome







## Orbit Entrance Set



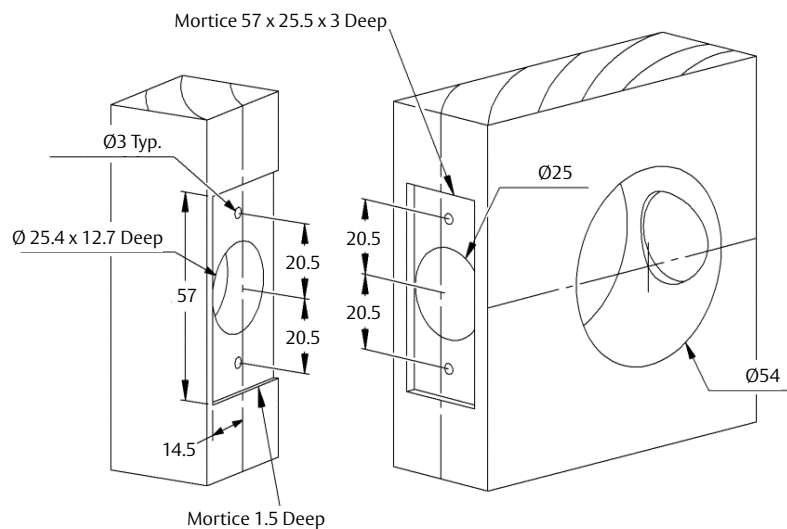
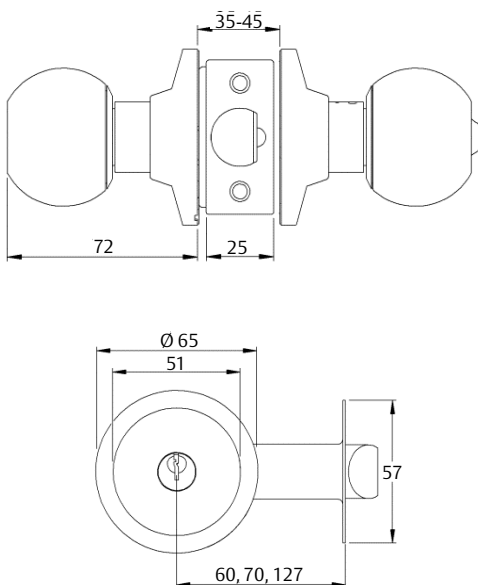
The Orbit knob style, from the Securicraft range, offers durable locking and non-locking options for timber and fibreglass doors.

### Features

- Adjustable 60-70mm backset
- Suitable for door thicknesses between 35-45mm
- Can be keyed alike to other ASSA ABLOY CYL4™ locks for one key convenience

### Options

- Combo set with deadbolt and cylinder and turnbutton lockset
- Combo sets available with double cylinder or cylinder and turnknob deadbolt
- Entrance set with cylinder and push button
- Entrance set with double cylinder
- Privacy set with push button and emergency release
- Passage set
- Dummy knob
- Available in 127mm backset for aluminium joinery
- Supplied as standard with 5-pin cylinders with 6-pin cylinder option available
- MC35 Securiturn removable thumbturn available as an accessory for double cylinder deadbolts
- Available in satin stainless steel, antique brass or polished brass finish



**Note:** Backset on door face must be same as backset of lock



## Hawthorn Entrance Set



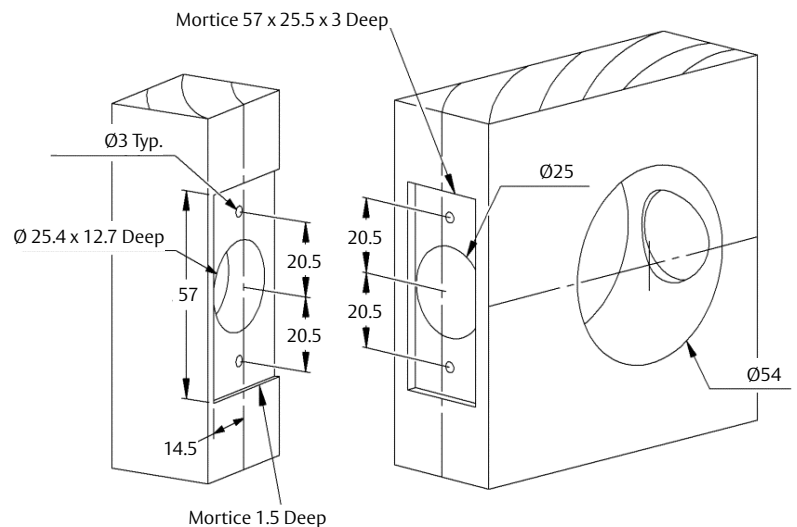
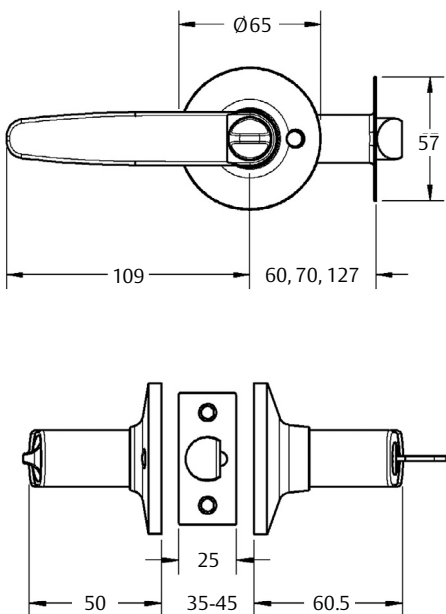
The Hawthorn lever style, from the Securcraft range, offers durable locking and non-locking options for timber and fibreglass doors.

### Features

- Non-handed lever style
- Models to suit all applications inside the house
- Adjustable 60-70mm backset
- Suitable for door thicknesses between 35-45mm
- Can be keyed alike to other ASSA ABLOY CYL4™ locks for one key convenience

### Options

- Combo set with deadbolt and cylinder and turnknob lockset
- Combo sets available with double cylinder or cylinder and turnknob deadbolt
- Entrance set with cylinder and turnknob
- Privacy set with turnknob and emergency release
- Passage set
- Dummy lever
- Can be chosen as the interior lever of the Capri and Mayfair handle sets
- Available in 127mm backset for aluminium joinery
- Supplied as standard with 5-Pin cylinders with 6-Pin cylinder option available
- MC35 Securiturn removable thumbturn available as an accessory for double cylinder deadbolts
- Available in satin chrome plate or polished brass finish



**Note:** Backset on door face must be same as backset of lock

## IB25 Series Electromechanical Drop Bolt

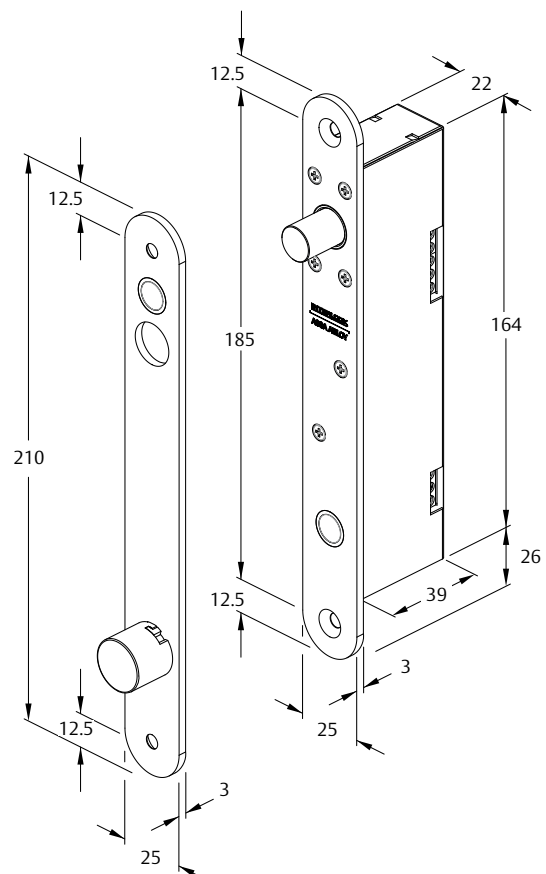
The Interlock IB25 Series Drop Bolts represent true engineering innovation, design excellence and the superior quality customers have come to expect from Interlock. The innovative design assists the correct positioning of the lock and strike every time. Designed for use on most doors including double action doors.

### Features

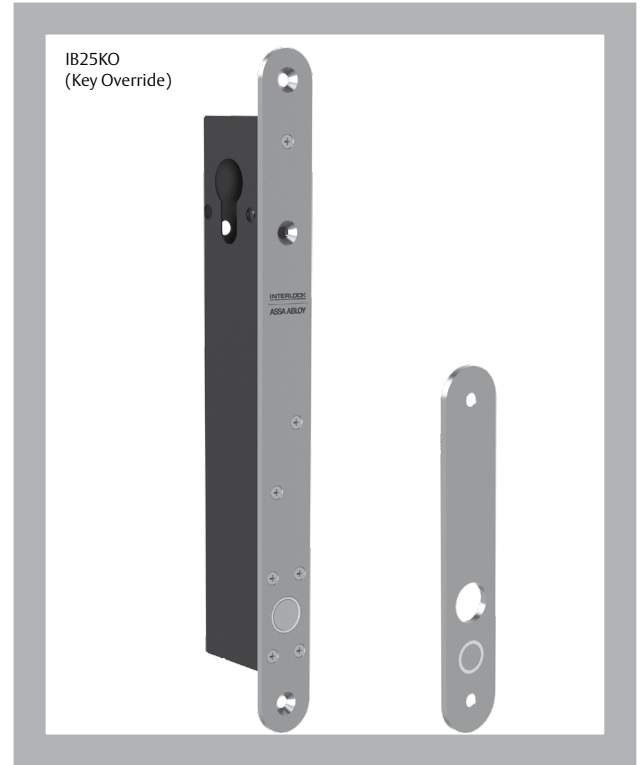
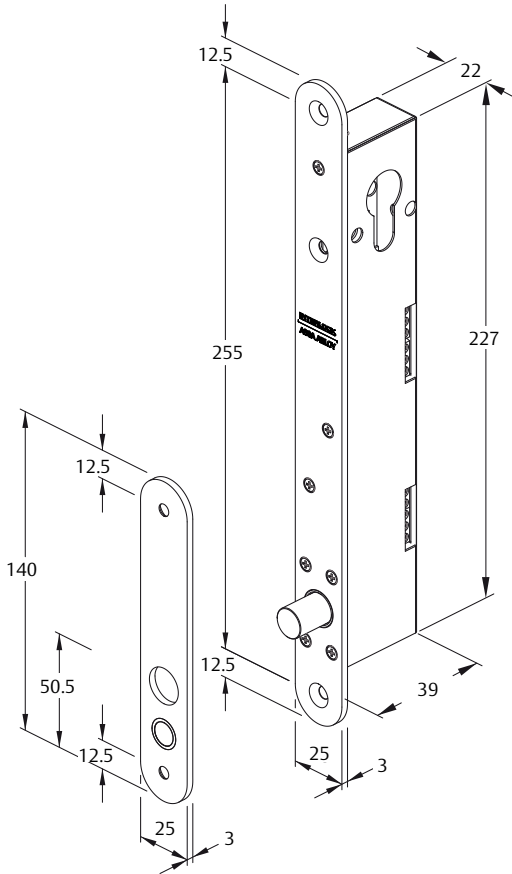
- Dual action:
  - Magnetic latch to capture the door
  - Deadbolt to secure the door
- High Security:
  - Automatic deadbolting
  - 12.7mm diameter stainless steel bolt pin
- Mortice or surface mount, horizontally or vertically
- Available as Fail Safe or Fail Secure
- Bolt position sensors
- Anti-tailgate and Anti-tamper
- Auto relock 0, 3, 6 or 9 seconds
- Multiple attempts to lock and unlock
- Multi voltage input (12 - 24VDC)
- Optional key override model (IB25KO)
- New Zealand made

### Applications

- Timber doors
- Glass doors
- Sliding doors
- Aluminium doors
- Hinged doors
- Pivot doors
- Double action doors



## IB25 Series Key Override Electromechanical Drop Bolt



### Technical Information

Part Number	IB25PTL	IB25PTO	IB25KOPTL	IB25KOPTO
	Power to Lock (FSA)	Power to Open (FSE)	Power to Lock (FSA)	Power to Open (FSE)
<b>Voltage</b>	12 to 24VDC		12 to 24VDC	
<b>Current (In rush)</b>	1100mA @ 12V, 1000mA @ 24V		1100mA @ 12V, 1000mA @ 24V	
<b>Current (Holding)</b>	210mA @ 12V, 90mA @ 24V		210mA @ 12V, 90mA @ 24V	
<b>Holding Force</b>	1000kg		1000kg	
<b>Locking Mode</b>	PTL or PTO		PTL or PTO	
<b>Dimensions (Mortice)</b>	164 x 22mm		228 x 22mm	
<b>Bolt Length</b>	Ø12.7 x 16mm		Ø12.7 x 16mm	
<b>Face Plate Size</b>	210 x 25mm		280 x 25mm	
<b>Monitoring Contacts</b>	Bolt Position Switch (BPS) and Door Position Switch (DPS)		Bolt Position Switch (BPS) and Door Position Switch (DPS)	
<b>Magnetic Latching</b>	Yes		No	

## IB38 Series Electromechanical Drop Bolt

The Interlock IB38 Series Drop Bolts represent true engineering innovation, design excellence and the superior quality customers have come to expect from Interlock. Designed for use on most doors including double action doors.

### Features

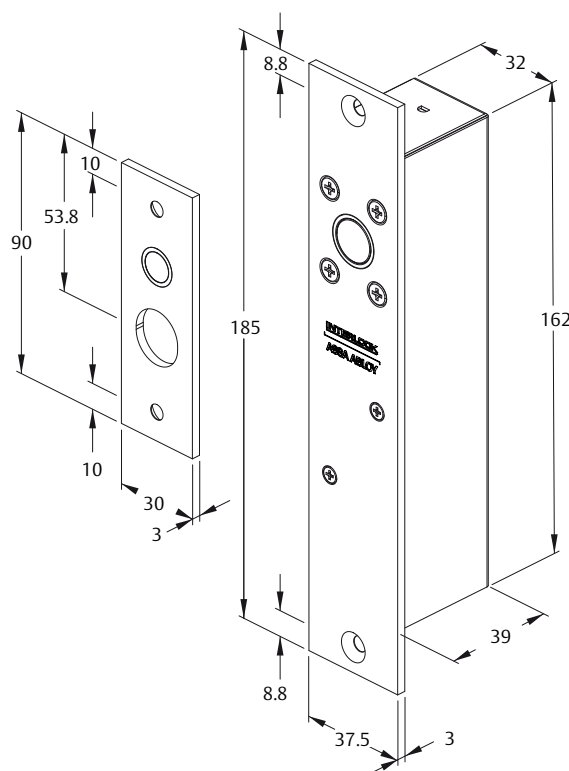
- Deadbolt to secure the door
- High Security:
  - Automatic deadbolting
  - 14.3mm diameter stainless steel bolt pin
- Mortise or surface mount, horizontally or vertically
- Available as Fail Safe or Fail Secure
- Bolt position sensors
- Anti-tailgate and Anti-tamper
- Auto relock after 9 seconds
- Multiple attempts to lock and unlock
- Multi voltage input (12 - 24VDC)
- New Zealand made

### Applications

- Timber doors
- Glass doors
- Sliding doors
- Aluminium doors
- Hinged doors
- Pivot doors
- Double action doors

### Technical Information

Part Number	IB38PTL	IB38PTO
	Power to Lock (FSA)	Power to Open (FSE)
<b>Voltage</b>	12 to 24VDC	
<b>Current (In rush)</b>	1400mA @ 12V, 1100mA @ 24V	
<b>Current (Holding)</b>	260mA @ 12V, 105mA @ 24V	
<b>Holding Force</b>	2000kg	
<b>Locking Mode</b>	PTL or PTO	
<b>Dimensions (Mortise)</b>	162 x 32mm	
<b>Bolt Length</b>	Ø14.3 x 14mm	
<b>Face Plate Size</b>	185 x 37.5mm	
<b>Monitoring Contacts</b>	Bolt Position Switch (BPS) and Door Position Switch (DPS)	



## Cobalt Electronic Side Load Lock

The COBALT series are motor driven electronic locks designed to secure commercial and residential doors.

The COBALT locks overcome the two biggest challenges faced in concealed electric locking; the ability to pull in a misaligned door and the ability to release under excessive side load pressure when requested. It will release even in the event of a power failure if the lock is configured as fail safe.

The COBALT DA has been designed primarily for double acting doors while the COBALT SA is for single acting doors.

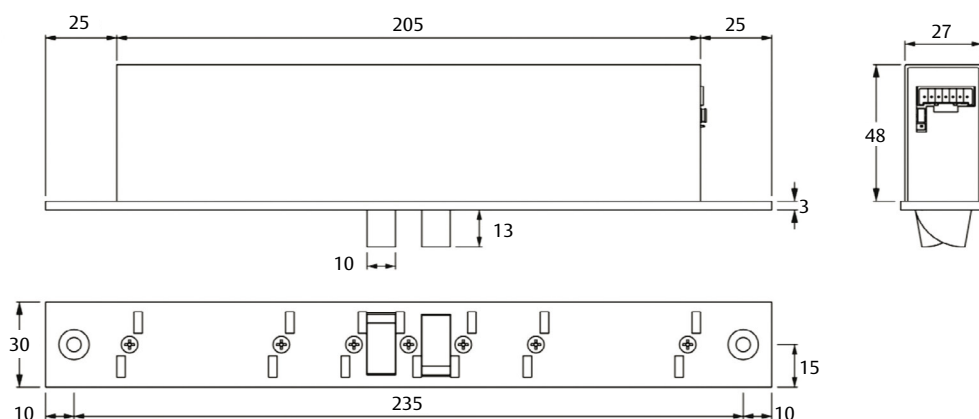
Made with the highest quality componentry and offering a full list of features as standard; the COBALT locks are the perfect solution when reliable, secure installations are required.

### Features

- Mortice or surface mount, horizontally or vertically
- Misalignment of up to +/- 8mm is corrected
- The door can have in excess of 100kg being applied and it will still release instantly when requested
- The locking cams automatically deadlock
- 10,000N holding force (1,000kg)
- Two, 10mm thick stainless steel locking cams
- Convert from Fail Safe to Fail Secure by repositioning a single jumper
- Door and bolt position switched outputs
- Input voltage from 12VDC – 24VDC (+/- 15%)
- Less than 50mA standby current
- Built in reverse polarity and transient protection
- Multiple attempts to lock

### Options

- Glass, timber and aluminium doors
- COBALT DA: Most single and double acting doors
- COBALT SA: Most single acting doors



## Steadfast Holdback Door Stop

The Steadfast Holdback Door Stop is designed to cushion the opening of hinged and folding doors and hold them open. Its innovative, sleek and robust design removes the need to bend down to the floor to latch or release the door.

### Features

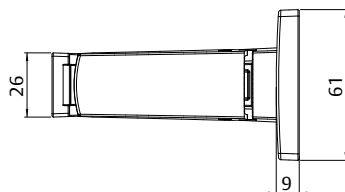
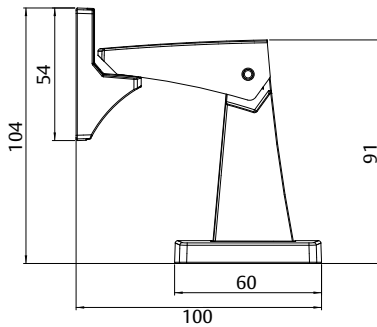
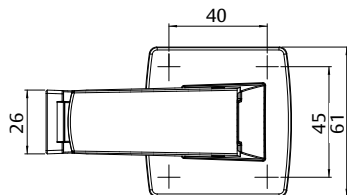
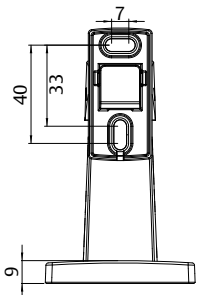
- Self-latching with toe-operated release means no bending down
- Sleek, robust design
- Concealed screw fixings
- Suitable for internal and external applications
- New Zealand made

### Options

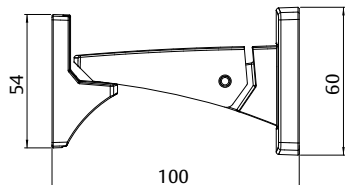
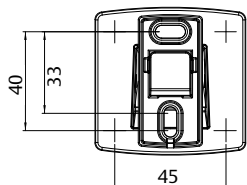
- Available in a range of powdercoat colours and satin chrome
- Floor and wall mount versions available



STRIKE HOLE  
PITCH RANGE



STRIKE HOLE  
PITCH RANGE





## SECTION F Additional Security

Window Restrictors	F2
Window Bolts	F3 - F4
Door Bolts	F5 - F6
Door Security Accessories	F7

## Securistay Window Restrictor

The Securistay is a window restrictor that provides ventilation for at home security.

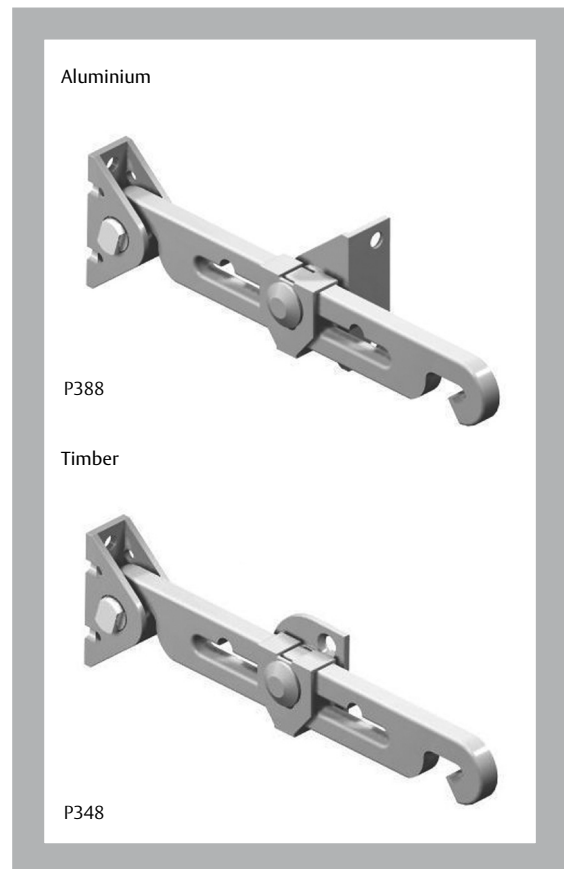
Designed for use with projected top hung and projected side hung windows, the Securistay limits the sash opening to 100mm. This allows for safer ventilation and provides child safety particularly in multi-storey buildings. It is suitable for pivoting timber, aluminium or uPVC sashes.

### Features

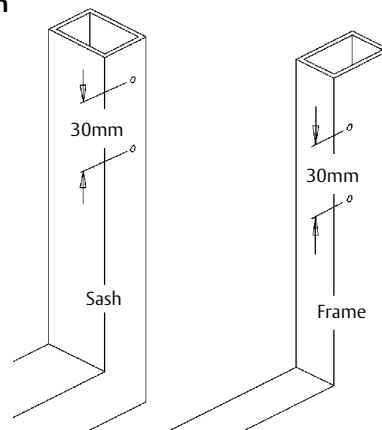
- To guard against injury caused by falling, the opening is restricted to 100mm, in compliance with NZBC Acceptable Solution F4/AS1
- As an enhanced security feature, full window opening can only be obtained when the Securistay arm is disengaged
- Offering three notched, at-rest setting positions, the Securistay provides additional sash control in windy situations
- A stainless steel security sleeve encircles the arm, locking it to the frame plate pin, discouraging jimmying
- The Securistay is manufactured from materials selected to provide a maintenance-free life
- New Zealand made

### Options

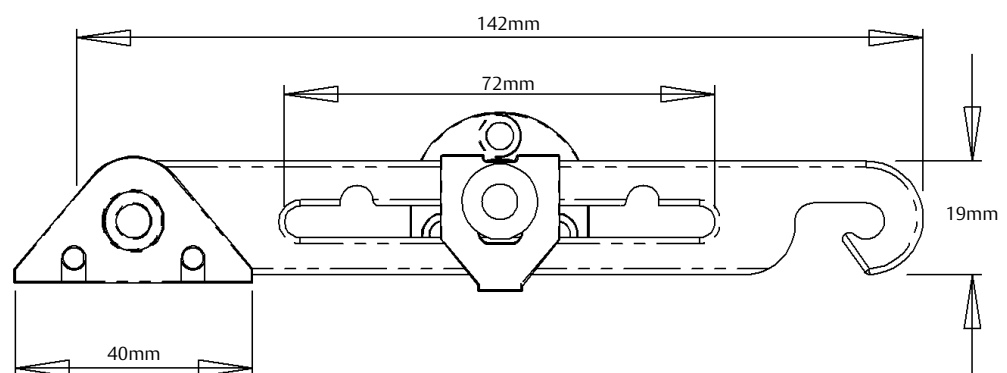
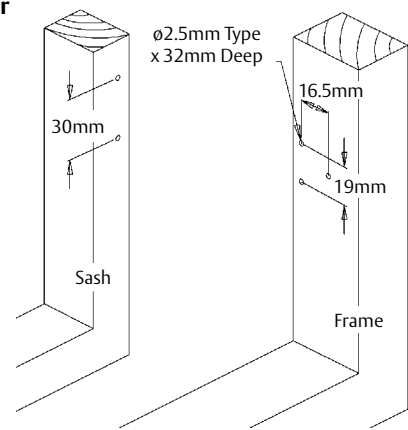
- 'A' type - aluminium joinery
- 'T' type - timber joinery
- Available in a range of colours to complement any window design and finish



### Aluminium



### Timber





# Additional Security

## Pushlock Window Bolt



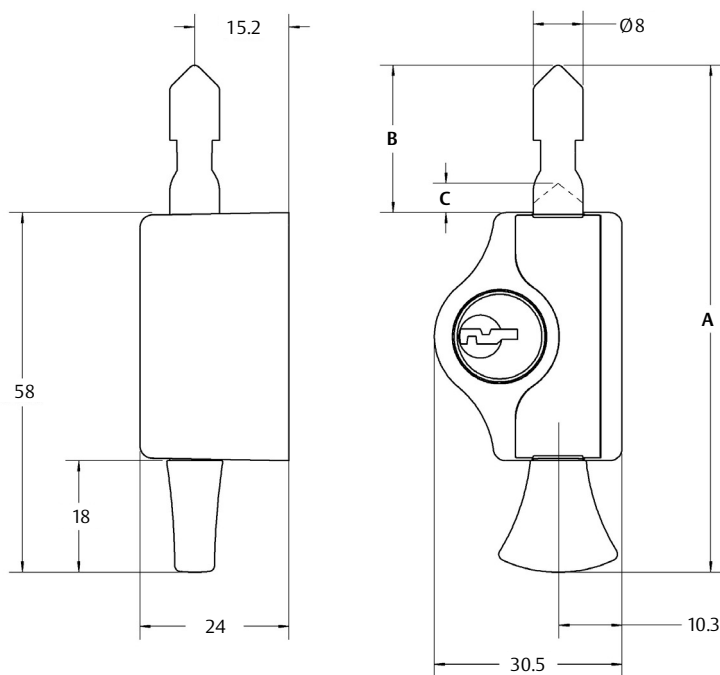
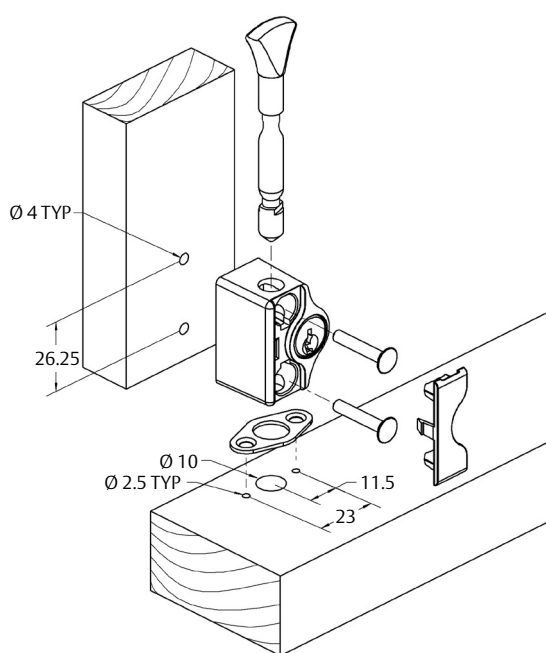
The Pushlock is a secure locking window bolt for deadlocking timber or uPVC awning, casement, sliding or double hung windows. The strongly constructed lock body provides maximum strength for any window that requires more security.

### Features

- 8mm diameter bolt provides real security
- Reversible bolt to allow cylinder to be located on the left or the right of the lock body to suit application
- Concealed fixing for security and style
- Easy to install
- Stainless steel ferrule for added security
- Can be keyed alike to other ASSA ABLOY CYL4™ locks for one key convenience
- New Zealand made

### Options

- Available in black and arctic white



	<b>A</b> Bolt length	<b>B</b> Bolt thrown length	<b>C</b> Bolt unthrown length
Standard bolt	81.5mm	24mm	10mm

## Patiobolt Door Bolt



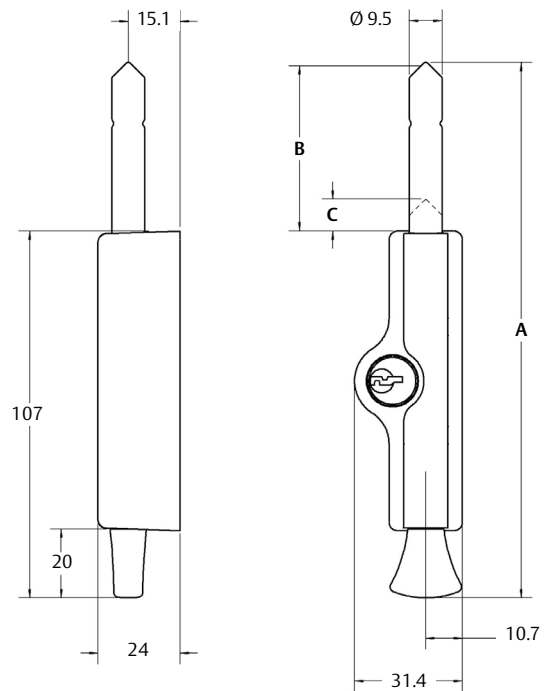
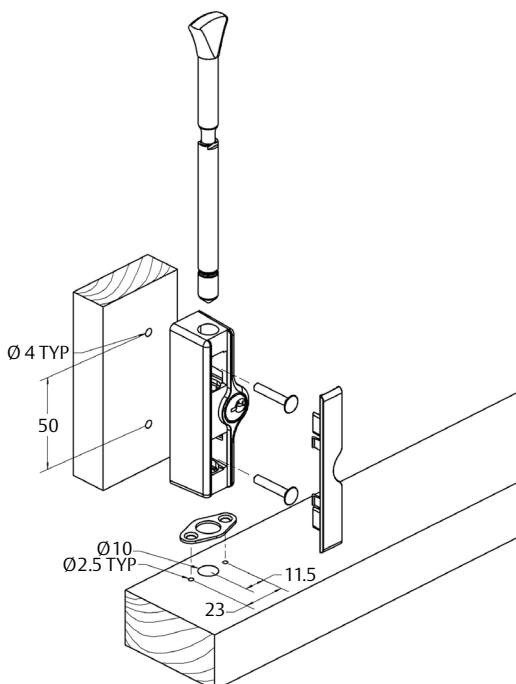
The Patiobolt is a secure deadlocking bolt for use with timber, aluminium and uPVC hinged, sliding or bi-fold doors.

### Features

- 9.5mm heavy gauge bolt providing good security
- Deadlocking bolt for top security
- Reversible bolt allows cylinder to be located on the left or the right of the lock body to suit the application
- Bolt can be engaged with or without locking cylinder
- Bolt remains in the body when disengaged
- Concealed fixing for security and style
- Easy to install
- Can be keyed alike to other ASSA ABLOY CYL4™ for one key convenience
- Supplied with two ferrules to enable safe venting with the Patiobolt remaining in a bolted position
- New Zealand made

### Options

- The base model can be enhanced to suit a variety of specialised applications by use of one of the bolt options available:
  - The standard bolt length is 155.5mm
  - The long bolt length is 185.5mm
  - The standard bolt thrown length is 50mm and the unthrown length is 9.5mm
  - The long bolt thrown length is 80mm and the unthrown length is 39.5mm
- Available in black and arctic white
- Easy to install



	<b>A</b> Bolt length	<b>B</b> Bolt thrown length	<b>C</b> Bolt unthrown length
Standard bolt	155.5mm	50mm	9.5mm
Extended bolt	185.5mm	80mm	39.5mm

# Additional Security

## Securichain

### Concealed Security Chain

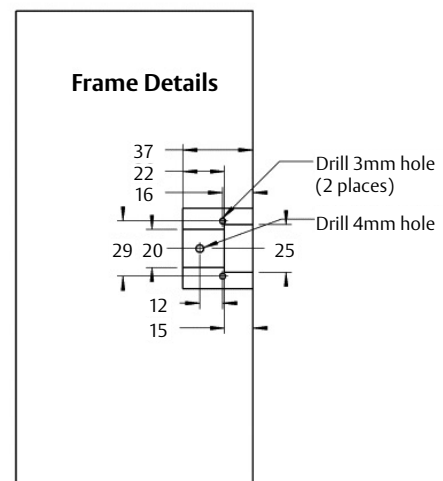
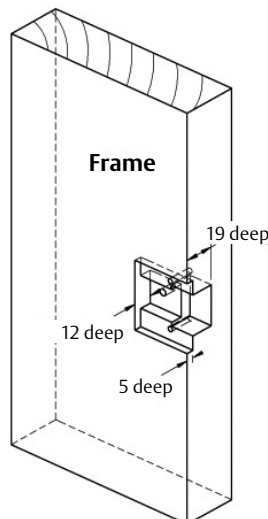
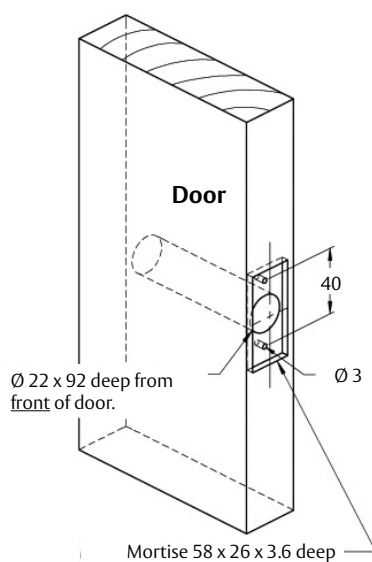
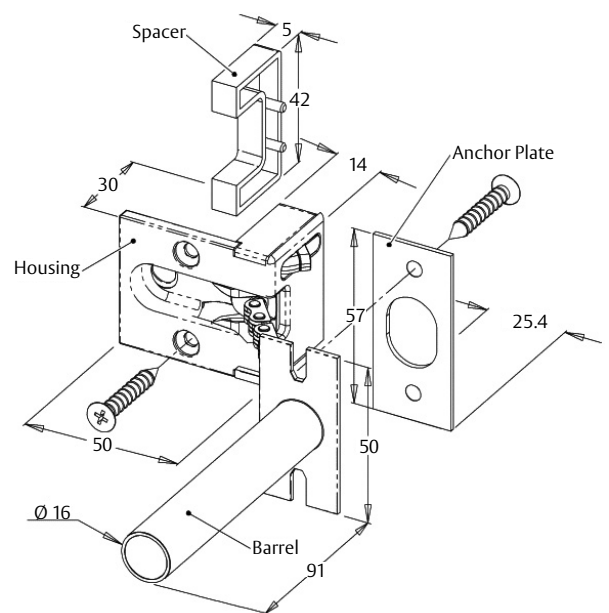
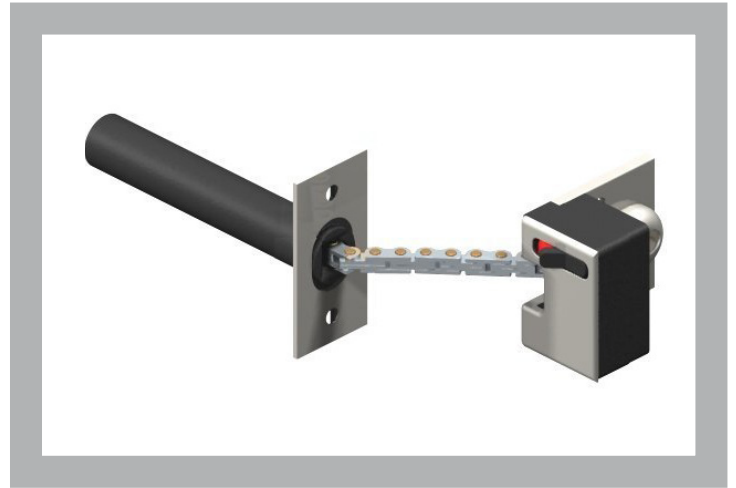
The Securichain is for use with standard hinged, inward opening doors with a minimum thickness of 34mm. The design and function of the product is ideal for use in residential or hotel applications to view before greeting a visitor.

#### Features

- Concealed fixing screws into the door frame
- Any impact forces are imposed in a sheer action of the fixing screws allowing a greater resistance
- Visual unlock indicator
- Activated by a simple on/off switch
- New Zealand made

#### Options

- Plated finishes include: polished brass, satin chrome and florentine bronze



**Note:** If architrave over 15mm and door over 40mm thick, locate centre of barrel hole 18mm in from inner edge of door

## Securicloser Hidden Door Closer

The Interlock Securicloser provides automatic closure of timber or aluminium doors fitted with standard hinges. The closing power is adjustable without removing the unit from the door and can be set to door size and weight. The Securicloser is strong, durable, hidden from view and fits most standard doors.

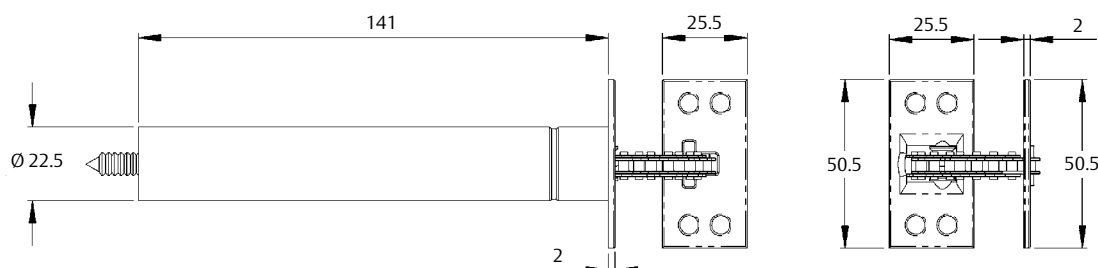
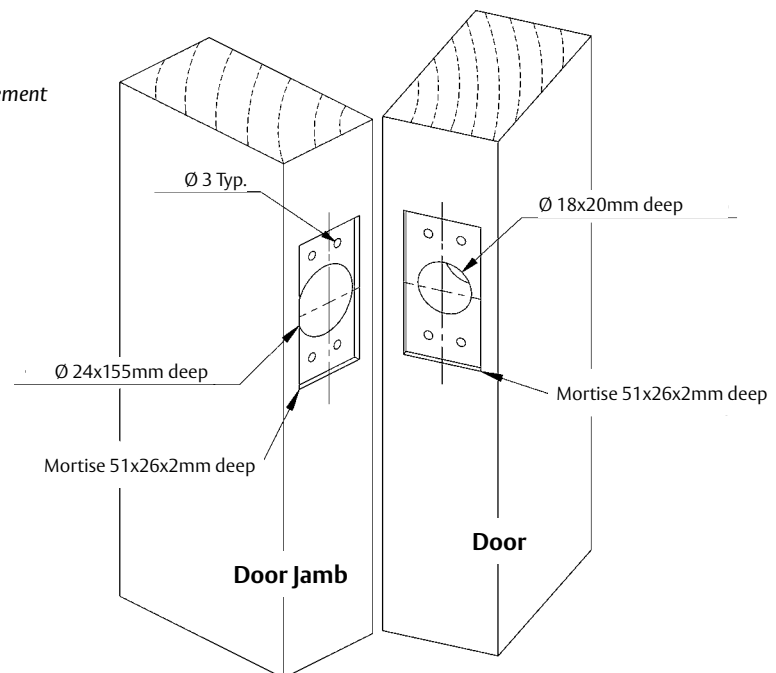
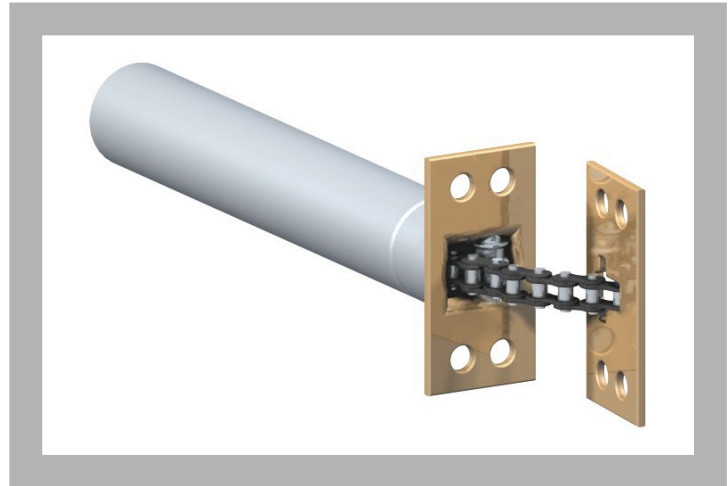
### Features

- Closes nuisance doors, stops heat loss and ensures privacy
- For use on doors up to 50kg (108lb). For doors above this weight, use multiple door closers
- Fixing position can be adapted to door design
- Installations can be reversed if more suitable for barrel to be inserted into door frame and frame plate fitted to door edge
- New Zealand made

### Options

- Available in bronze

**Note:** The Securicloser is not suitable where limited air displacement or extremely draughty conditions exist



# Additional Security

## Door Security Accessories

### Doorbolt

- A concealed locking door bolt for discrete security
- Strong quality construction and increases attack resistance
- For use with timber doors
- Available in polished brass or white
- The Windowbolt is offered for timber windows



### Door Guard

- Allows safer inspection of visitors
- For use with inward opening doors
- Available in satin chrome or polished brass



### Hingebolt

- Provides for higher security in outward opening doors as well as extra security for standard doors
- Plated steel bolts and plates increase door attack resistance
- Two bolts for each door
- For use with all timber doors
- Available in satin chrome



### Door Viewer

- Allows safe inspection of visitors with a wide 200° angle lens
- Precision optical lens
- Suitable for door thicknesses from 35-60mm
- For use with timber, uPVC or aluminium doors
- Available in satin chrome or polished brass



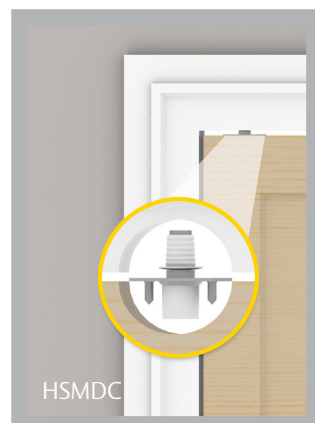
### Rim Cylinder Nightlatch

- For new and retrofit inward opening hinged doors
- High quality zinc alloy construction
- For use with timber doors
- Can be keyed alike to other ASSA ABLOY CYL4™ locks for one key convenience



### Snap Magnet

- No bouncing of doors when closing
- The magnets jump up to contact each other providing a positive connection
- Perfect replacement for ball catches, spring catches or round magnets
- High strength rare earth magnets
- Blends in to architrave



**A-Series** - Series of friction stays made of aluminium.

**Anti-Slam Button** - Must be pushed before the lock beaks can be engaged. This helps prevent damage from the door being slammed shut with the lock beaks out.

**Austenitic S. Steel** - Corrosion-resistant, made with S. Steel.

**Awning Window** - A window with an outward opening sash, hung about a horizontal axis at the top or on friction stays at the side.

**Backset** - The distance from the face of the lock to the centre line of the lock cylinder.

**Bi-fold** - A sliding door or window with sections that fold onto one another as the door opens.

**Bi-parting** - Two sliding doors in a frame that lock together in the centre.

**Bracket - Sash/Transom** - A simple rigid structure in the shape of an L, one arm of which is fixed to a vertical surface, the other projecting horizontally to support a weight.

**C-Groove** - European standard C-shaped groove in the inner part of the window frame.

**C4 Format Lock** - A conventional lock cylinder based on the registered C4 key shape format.

**Casement Window** - A window with an outward opening sash, hung about a vertical axis at the side.

**Commercial Weight** - Built to take the heavier loads and weights of commercial applications.

**Computer Aided Design (CAD)** - Process of using CAD software for product and tooling design.

**Concealed Friction Joint** - The stay joint is covered to protect friction surface from dust and debris.

**'D' Pull** - Handle shaped as a 'D', functions as a door or window grip.

**DA Stay** - Double Action stay: first phase ventilation, second phase cleaning.

**Daylatch** - System offering both a latch and a key lock on the inside of the door, the daylatch acting as a quick and convenient latching option.

**Deadbolt** - A bolt on a lock that is moved by turning the key or knob.

**Deadlock** - Key access from inside and outside the door or window for extra security.

**Die-cast** - Process of manufacturing a product via molten metal entering a mould.

**Door Handing** - The orientation of the hardware to Australasian standard.

**Double Hung Sash Window** - A window that has two sashes that slide up and down.

**Double Key Cylinder** - Cylinder with a lock face on both ends, used in deadlocking applications.

**Double Operating Action** - When a stay has a sliding action allowing a window to be opened to 90° for cleaning.

**Double Tongue** - Second tongue on a window fastener, which allows the window to be left slightly open for ventilation.

**Drop Bolt** - Additional fastening on door that serves as a lock, activated by a key.

**Dummy** - A handle and housing without the latching or locking mechanisms. Intended to match a functional handle on a double door/window system.

**Escutcheon Plate** - A protective plate for a keyhole.

**Extension Rod** - An extension to a head or sill lock rod for use on tall (above standard) doors directly.

**Face Fix** - The fastener is fixed direction through the base onto the face of the window sash.

**Finish** - Final cover treatment of the product for appearance and protection, in both plated finishes or powdercoat colour.

**Friction Bearing** - Sealed nylon bearings working as highly accurate and strong pivot centres for stays. The sealing ensures durability and maximum product life.

**Friction Hinge** - To brace and support the window sash for opening. Also known as a stay.

**Furniture** - Fittings complimentary to the lock systems, such as handles and escutcheon plates.

**Half Cylinder** - Cylinder with a lock face on only one end, for such systems as 'lock inside only'.

**HD Stay** - Heavy-duty stay for commercial applications.

**High Forces** - Intense forces such as strong winds.

**Hook Bolt** - Projecting bolt on a hinged or sliding door lock that hooks into the striker for added security.

**Jamb** - Vertical posts or pieces that together form the sides of a door or window frame.

**Keyed Alike** - Where the same key operates two or more cylinders.

**LF** - Low friction.

**LH** - Left hand.

**Latch** - The fastening on a door that fits into the notch or slot on a door jamb and is lifted from either side by the handle.

**Lock Barrel** - Lock cylinder.

**Lock Body** - Lock mechanism.

**Lock Cylinder** - The metal surround of the lock that fits into the lock body.

**Lockset** - A set of hardware for shutting or locking a door.

**Master Keyed** - A number of cylinders in a group can be operated by one 'master key' whilst at the same time can also be operated by individual keys.

**Mortice Mounted** - The lock is fitted inside the door stile as opposed to mounted on the surface.

**Mullion** - The upright bar between sashes of a window (the sill is the horizontal bar).

**NF** - Non-friction.

**Negative Pressure** - A pressure imbalance between the inside and outside of a window/door resulting in a force tending to pull the window/door off a building.

**Non-handed** - The ability to reverse the product or key component to suit left or right-hand installation.

**Offset Tongue** - Single tongue on a window fastener offset further from the base allowing for better handgrip.

**Opposing Tongue** - Two tongues on opposite sides of the window fastener handle, one allowing the window to be left slightly open for ventilation. Alternative to double tongue.

**P Colours** - A choice of the most common powdercoat colours used on ASSA ABLOY window and door hardware - *Contact us for the current list.*

**Packer** - Fills any space between the product and its installation site, when dimensions may differ.

**Patio Set** - A lock designed with a turn knob inside to lock the outside knob.

**Pivoting Sash** - Window sash with a sash arm assembly that enables it to be opened outward as in both casement and awning applications.

**Powdercoat** - Polyester-based coating for aluminium products providing a smooth colour finish.

**Pressure die-cast** - When metal is forced into a mould to manufacture products requiring thinner wall sections.

**Pre-treatment** - Chemical process that cleans off oil, dirt and other contamination before final finish is applied, and provides corrosion protection in some cases.

**Profile high/low** - How far the handle of a window fastener is set from the base. Low profile is necessary when the handle must fit behind a fly screen or sliding door.

**PSH** - Projected Side Hung window – casement.

**PTH** - Projected Top Hung window – awning.

**Projected Windows** - Windows that open outward.

**“Pull-in” Feature** - ASSA ABLOY’s patented pull-in effect creates a tight weatherproof seal around the window sash.

**RH** - Right-hand.

**Reversible Latch** - The ability to reverse the bevelled side of the latch to suit a choice of left or right hand closing.

**Rivet** - Joins frame plate, sash plate, long arm and short arm together on a friction hinge.

**S4B** - Sliding 4-Bar stay.

**Sash** - A frame in which the panes of a window or door are set.

**SBML** - Slim Backset Mortice Lock.

**Securturn** - Removable turning mechanism for lock cylinders. Simple and secure locking option in place of a conventional key.

**Security Rod** - Steel rod for hinged door lock that functions as an additional locking point.

**Snib** - The latch that activates the locking beaks on sliding door and window systems.

**Special (SPEC)** - A special powdercoat colour not one of the most common colours offered by ASSA ABLOY (P colours).

**Stay** - Friction hinge – top brace and support the window sash for opening. Also known as friction hinge.

**Stay Selection Matrix** - A chart that indicates the most suitable stay length based on a grid matching sash weight and height.

**Stile** - The vertical section of a door in which the lock is housed.

**Striker** - Acts as a receptical for the drop bolt or latch.

**Sub Fix** - The fastener is fixed to the window sash from underneath the base of the fastener.

**Surface Mounted** - The lock is mounted on the surface of the door stile.

**Top Hung Window** - Awning window.

**Transom** - A horizontal crosspiece through the middle of a door or window.

**Turn Knob** - Turning mechanism that activates the door lock from the inside, a convenient locking option in place of a key.

**uPVC** - Unplasticised Polyvinyl Chloride. Polyvinyl Chloride is a common thermoplastic resin that is strong, lightweight, fire-resistant and durable. Used in window construction.

**Vertical Sliding Window** - Sash window that slides upward.

**Wedge** - Tongue of the window fastener lodges tightly against the wedge to ensure a tight seal between the window sash and the window frame.

**Wedgeless Fastener** - Has a flap (wedge) attached to the main window fastener. Upon opening the flap is automatically raised, upon closing automatically lowered.

ASSA ABLOY is the global leader in door opening solutions, dedicated to satisfying end-user needs for security, safety and convenience

**INTERLOCK™**

**ASSA ABLOY**

**INTERLOCK™**

**ASSA ABLOY**

Interlock is a renowned New Zealand-based brand that provides a wide range of high-quality door and window hardware solutions for both residential and commercial markets. Because the brand's product portfolio is broad, it is able to react creatively to individual needs, providing its customers with highly customised solutions.

Over the years, the Interlock brand has built a number of highly successful partnerships with key customers in core markets around the world.

**ASSA ABLOY**

ASSA ABLOY is the global leader in door opening solutions, dedicated to satisfying end-user needs for security, safety and convenience.

ASSA ABLOY is represented in all major regions, in both mature and emerging markets, with leading positions in Australia, Europe and North America.

As the world's leading lock group, ASSA ABLOY offers a more complete product range of door opening solutions than any other company in the market.

**New Zealand**  
**+64 9 448 9109**  
**assaabloy.co.nz**

ASSA ABLOY New Zealand Ltd  
6 Armstrong Road  
Albany, Auckland, 0632  
New Zealand

info.nz@assaabloy.com  
assaabloy.co.nz

